



UP to 15.5 SEER, UP to 12.5 EER, PACKAGE HEAT PUMP UNITS, 2 – 5 TONS

208/230 Volt, 1-phase, 60 Hz

208/230 Volt, 3-phase, 60 Hz

REFRIGERATION CIRCUIT

- Environmentally sound R-410A refrigerant
- Copper tube/aluminum fin condenser and evaporator coils
- Tin-coated copper evaporator coil standard (single-phase only)
- Enhanced dehumidification feature on high stage cooling with use of a dehumidistat
- Two stage scroll compressors standard on all models

EASY TO INSTALL AND SERVICE

- Installs easily on a rooftop or at ground level
- Easy three-panel accessibility for maintenance and installation
- Easily converts to down discharge applications

BUILT TO LAST

- Hail guard (3/8" spacing) wire grilles standard
- Multi-speed ECM blower motor standard on all models
- Pre-painted steel cabinet
- Vertical condenser fan discharge
- Full perimeter steel base rails
- High and low pressure switches provide added reliability for the compressor

WARRANTY*

- 5 year No Hassle Replacement limited warranty (Single-phase only)
- 5 year parts limited warranty (including compressor and coils)
 - With timely registration, an additional 5 year parts limited warranty, including compressor and coils (Single-phase only)

☑ For owner occupied, residential applications only. See warranty certificate for complete details and restrictions, including warranty coverage for other applications.



As an Energy Star® Partner, International Comfort Products has determined that this product meets the ENERGY STAR® guidelines for energy efficiency.



Use of the AHRI Certified TM Mark indicates a manufacturer's participation in the program. For verification of certification for individual products, go to www.ahridirectory.org.

UNIT PERFORMANCE DATA

Model Number	COOLING				HSPF	COP	Unit Dimensions Height x Width x Depth Inches (mm)	Operating Weight lbs / kg
	Net Capacity BTU/h High Stage	Standard CFM High / Low Stage	SEER	EER				
PHR524000KTP0A	23000	850/650	15.0	12.0	8.0	3.8	44-1/8 x 48-13/16 x 32-5/8 (1121 x 1224 x 829)	348/158
PHR530000***0A	29000	1000/750	15.0	12.0	8.0	3.8	46-1/8 x 48-13/16 x 32-5/8 (1172 x 1224 x 829)	356/162
PHR536000***0A	34000	1200/900	15.0	12.0	8.0	3.7	44-3/4 x 48-1/4 x 44-3/16 (1137 x 1226 x 1122)	413/187
PHR542000***0A	42000	1400/1050	15.0	12.0	8.0	3.6	50-3/4 x 48-1/4 x 44-3/16 (1289 x 1226 x 1122)	444/201
PHR548000***0A	47000	1600/1200	15.5	12.5	8.0	3.7	48-3/4 x 48-1/4 x 44-3/16 (1238 x 1226 x 1122)	447/203
PHR560000***0A	57000	1750/1200	15.0	12.0	8.5	3.5	54-3/4 x 48-1/4 x 44-3/16 (1391 x 1226 x 1122)	503/228

*** = KTP - 208/230-1-60, Tin Coated Evaporator Main Tubes
= H00 - 208/230-3-60, Standard Coil

MODEL NOMENCLATURE										
	1	2	3,4	5,6	7,8,9	10	11,12	13	14	15
MODEL SERIES	P	H	R5	36	000	K	00	0	C	1
P = Package										
H = Heat Pump										
R5 = Mainline										
24 = 24,000 BTUH = 2 Tons										
30 = 30,000 BTUH = 2.5 Tons										
36 = 36,000 BTUH = 3 Tons										
42 = 42,000 BTUH = 3.5 Tons										
48 = 48,000 BTUH = 4 Tons										
60 = 60,000 BTUH = 5 Tons										
000 = no factory heat										
K = 208/230-1-60										
H = 208/230-3-60										
00 = No options										
TP – Tin Plated Evaporator Main Tubes										
0 = Standard										
Sales Model Digit										
Engineering Digit										

TIER

NOMINAL CLG CAPACITY

NOMINAL HTG BTUH (input)

VOLTAGE

FACTORY INSTALLED OPTIONS

FEATURE CODE

A-WEIGHTED SOUND POWER LEVEL (dBA)

Model PHR5	Sound Ratings (dBA)	TYPICAL OCTAVE BAND SPECTRUM (dBA without tone adjustment)						
		125	250	500	1000	2000	4000	8000
24	73	58.5	65	66.5	67	62	57.5	54.5
30	76	59	63	69	70	63.5	59	53.5
36	73	64	63.5	68	68	65.5	60.5	52.5
42	71	64	62	65	66	63.5	59.5	52.5
48	74	59.5	65	70	67	64.5	60.5	52.5
60	73	68	63	66	66	65	59.5	52.5

NOTE: Tested in accordance with AHRI Standard 270 (not listed in AHRI).

UNIT SPECIFICATIONS

UNIT SIZE	24	30	36	42	48	60
NOMINAL CAPACITY (ton)	2	2-1/2	3	3-1/2	4	5
SHIPPING WEIGHT lb.	356	364	420	466	462	511
SHIPPING WEIGHT (kg)	162	165	191	212	210	232
COMPRESSORS	Scroll					
Quantity	1					
REFRIGERANT (R-410A)						
Quantity lb	9.0	10.0	11.0	14.6	12.0	14.8
Quantity (kg)	4.1	4.5	5.0	6.6	5.4	6.7
REFRIGERANT METERING DEVICE	TXV, Indoor TXV					
ORIFICE – OUTDOOR COIL						
ID (in.)	.032 (2)	.040 (2)	.042 (2)	.042 (2)	.042 (2)	.052 (2)
ID (mm)	0.81 (2)	1.02 (2)	1.07 (2)	1.07 (2)	1.07 (2)	1.32 (2)
OUTDOOR COIL						
Rows...Fins/in.	2...21	2...21	2...21	2...21	2...21	2...21
Face Area (sq ft)	13.6	15.3	13.6	19.4	17.5	23.3
OUTDOOR FAN						
Nominal Cfm	2100	2500	3000	3000	3300	3600
Diameter in.	24	24	26	26	26	26
Diameter (mm)	609.6	609.6	660.4	660.4	660.4	660.4
Motor Hp (Rpm)	1/12 (800)	1/8 (810)	1/5 (810)	1/5 (810)	1/5 (810)	1/5 (810)
INDOOR COIL						
Rows...Fins/in.	3...17	3...17	3...17	3...17	3...17	4...17
Face Area (sq ft)	3.7	3.7	4.7	4.7	5.7	5.7
INDOOR BLOWER						
Nominal Low Stage Cooling Airflow (Cfm)	650	750	900	1050	1200	1400
Nominal High Stage Cooling Airflow (Cfm)	850	1000	1200	1400	1600	1750
Size in.	10x10	10x10	11x10	11x10	11x10	11x10
Size (mm.)	254x254	254x254	279.4x254	279.4x254	279.4x254	279.4x254
Motor HP (RPM)	1/2 (1050)	1/2 (1050)	3/4 (1000)	3/4 (1075)	1.0 (1075)	1.0 (1075)
HIGH-PRESSURE SWITCH (psig) Cut-out Reset (Auto)	650 +/- 15 420 +/- 25					
LOW-PRESSURE SWITCH (psig) cut-out Reset (auto)	20 +/- 5 45 +/- 5					
RETURN-AIR FILTERS†‡						
Throwaway Size in.	20x20x1	20x24x1	24x30x1		24x36x1	
Throwaway Size (mm)	508x508x25	508x610x25	610x762x25		610x914x25	

† Required filter sizes shown are based on the larger of the AHRI (Air Conditioning Heating and Refrigeration Institute) rated cooling airflow or the heating airflow velocity of 300 ft/minute for throwaway type or 450 ft/minute for high-capacity type. Air filter pressure drop for non-standard filters must not exceed 0.08 in. W.C.

‡ If using accessory filter rack refer to the filter rack installation instructions for correct filter sizes and quantity.

UNIT AIRFLOW – DRY COIL AIR DELIVERY* – HORIZONTAL AND DOWNFLOW DISCHARGE

UNIT PHR5	MOTOR SPEED	WIRE COLOR		EXTERNAL STATIC PRESSURE (IN. W.C.)									
				0.1	0.2	0.3	0.4	0.5	0.6	0.7	0.8	0.9	1.0
PHR524	Low ¹	Blue	CFM	777	692	583	465	318	---	---	---	---	---
			BHP	0.09	0.10	0.10	0.11	0.12	---	---	---	---	---
	Med-Low	Pink	CFM	877	779	698	598	519	410	---	---	---	---
			BHP	0.12	0.12	0.13	0.14	0.15	0.15	---	---	---	---
	Medium ²	Red	CFM	904	841	769	705	628	522	372	---	---	---
			BHP	0.16	0.17	0.17	0.18	0.19	0.19	0.20	---	---	---
	Med-High	Orange	CFM	1229	1171	1105	1049	980	913	838	775	679	516
			BHP	0.28	0.30	0.30	0.31	0.32	0.33	0.33	0.34	0.34	0.33
	High	Black	CFM	1291	1206	1142	1081	1017	951	888	823	753	668
			BHP	0.31	0.32	0.33	0.34	0.34	0.35	0.36	0.36	0.37	0.37
PHR530	Low	Blue	CFM	777	692	583	465	318	---	---	---	---	---
			BHP	0.09	0.10	0.10	0.11	0.12	---	---	---	---	---
	Med-Low ¹	Pink	CFM	831	765	670	586	466	299	---	---	---	---
			BHP	0.11	0.12	0.12	0.13	0.13	0.14	---	---	---	---
	Medium ²	Red	CFM	1139	1069	1012	937	870	786	724	626	512	381
			BHP	0.22	0.23	0.24	0.24	0.25	0.26	0.26	0.27	0.27	0.28
	Med-High	Orange	CFM	1229	1171	1105	1049	980	913	838	775	679	516
			BHP	0.28	0.30	0.30	0.31	0.32	0.33	0.33	0.34	0.34	0.33
	High	Black	CFM	1531	1460	1382	1301	1209	1114	1003	890	764	629
			BHP	0.53	0.52	0.50	0.48	0.46	0.44	0.42	0.40	0.37	0.35
PHR536	Low	Blue	CFM	1097	971	823	747	669	636	558	513	456	412
			BHP	0.12	0.11	0.10	0.11	0.12	0.13	0.13	0.14	0.15	0.16
	Med-Low ¹	Pink	CFM	934	864	810	745	698	649	571	525	486	428
			BHP	0.10	0.10	0.11	0.12	0.13	0.14	0.14	0.15	0.16	0.17
	Medium ²	Red	CFM	1251	1198	1149	1104	1066	1017	970	932	892	839
			BHP	0.19	0.21	0.21	0.23	0.24	0.25	0.26	0.27	0.28	0.29
	Med-High	Orange	CFM	1451	1415	1372	1327	1287	1249	1212	1168	1130	1094
			BHP	0.29	0.30	0.31	0.32	248.59	0.35	0.36	0.37	0.38	0.39
	High	Black	CFM	1466	1423	1384	1343	1308	1263	1219	1183	1145	1106
			BHP	0.30	0.31	0.33	0.34	0.35	0.36	0.37	0.38	0.40	0.41
PHR542	Low	Blue	CFM	1097	971	823	747	669	636	558	513	456	412
			BHP	0.12	0.11	0.10	0.11	0.12	0.13	0.13	0.14	0.15	0.16
	Med-Low ¹	Pink	CFM	1076	1026	972	918	872	827	771	714	666	611
			BHP	0.13	0.14	0.15	0.15	0.17	0.18	0.18	0.20	0.21	0.22
	Medium	Red	CFM	1251	1198	1149	1104	1066	1017	970	932	892	839
			BHP	0.19	0.21	0.21	0.23	0.24	0.25	0.26	0.27	0.28	0.29
	Med-High ²	Orange	CFM	1451	1415	1372	1327	1287	1249	1212	1168	1130	1094
			BHP	0.29	0.30	0.31	0.32	248.59	0.35	0.36	0.37	0.38	0.39
	High	Black	CFM	1633	1590	1552	1518	1483	1444	1406	1372	1340	1303
			BHP	0.41	0.43	0.44	0.45	0.47	0.48	0.49	0.50	0.51	0.53
PHR548	Low ¹	Blue	CFM	1271	1229	1177	1121	1066	1027	974	942	887	839
			BHP	0.19	0.20	0.21	0.23	0.24	0.25	0.26	0.27	0.28	0.29
	Med-Low	Pink	CFM	1340	1299	1240	1191	1139	1091	1050	1001	952	895
			BHP	0.22	0.23	0.24	0.25	0.26	0.28	0.29	0.30	0.31	0.32
	Medium ²	Red	CFM	1686	1650	1617	1576	1544	1503	1468	1433	1393	1356
			BHP	0.42	0.44	0.45	0.46	0.48	0.49	0.51	0.52	0.53	0.55
	Med-High	Orange	CFM	1854	1837	1781	1784	1720	1698	1655	1625	1578	1532
			BHP	0.56	0.57	0.60	0.59	0.62	0.63	0.64	0.66	0.67	0.67
	High	Black	CFM	1934	1900	1855	1815	1778	1737	1695	1656	1606	1528
			BHP	0.59	0.61	0.62	0.64	0.65	0.67	0.68	0.70	0.70	0.68
PHR560	Low	Blue	CFM	1182	1137	1102	1053	1012	966	920	868	830	783
			BHP	0.21	0.22	0.23	0.24	0.25	0.26	0.27	0.28	0.30	0.31
	Med-Low ¹	Pink	CFM	1454	1405	1364	1316	1281	1234	1198	1147	1105	1056
			BHP	0.34	0.35	0.36	0.37	0.38	0.40	0.41	0.42	0.43	0.45
	Medium ²	Red	CFM	1818	1770	1731	1693	1657	1621	1579	1546	1505	1436
			BHP	0.56	0.57	0.59	0.60	0.62	0.63	0.64	0.66	0.67	0.66
	Med-High	Orange	CFM	1881	1849	1818	1793	1763	1729	1679	1610	1523	1479
			BHP	0.67	0.69	0.70	0.71	0.72	0.73	0.73	0.71	0.68	0.65
	High	Black	CFM	2138	2084	2025	1967	1893	1829	1754	1678	1591	1475
			BHP	0.98	0.95	0.93	0.90	0.86	0.84	0.80	0.76	0.74	0.68

* Air delivery values are without air filter and are for dry coil (See PHR5-A Wet Coil Pressure Drop table).

¹ Factory-shipped low stage cooling speed.

² Factory-shipped high stage cooling speed.

Note: Deduct field-supplied air filter pressure drop and wet coil pressure drop to obtain external static pressure available for ducting.

Shaded areas indicate acceptable Dehum. Speeds (Dehum. Mode is High Stage Only, 208/230 VAC Models Only).

WET COIL PRESSURE DROP (IN. W.C.)																	
UNIT SIZE	STANDARD CFM (SCFM)																
	600	700	800	900	1000	1100	1200	1300	1400	1500	1600	1700	1800	1900	2000	2100	2200
24	0.03	0.04	0.05	0.06	0.07												
30				0.06	0.07	0.07	0.08	0.09									
36				0.06	0.07	0.08	0.09	0.10	0.11								
42					0.07	0.08	0.09	0.10	0.11	0.11	0.12	0.12					
48							0.03	0.04	0.08	0.10	0.11	0.11	0.14	0.15	0.16		
60										0.08	0.10	0.11	0.14	0.15	0.16	0.16	

ECONOMIZER WITH 1-IN. FILTER PRESSURE DROP (IN. W.C.)																	
FILTER SIZE IN. (MM)	CLG TONS	STANDARD CFM (SCFM)															
		600	700	800	900	1000	1100	1200	1300	1400	1500	1600	1700	1800	1900	2000	2100
600-1400CFM 12x20x1+12x20x1 (305x508x25+305x508x25)	2.0, 2.5	-	-	0.09	0.14	0.16	0.18	0.25	0.28	0.3	-	-	-	-	-	-	-
1200-1800 CFM 16x24x1+14x24x1 (406x610x25+356x610x25)	3.0, 3.5	-	-	-	-	-	-	0.10	0.11	0.12	0.13	0.14	0.16	0.16	-	-	-
1500-2200 CFM 16x24x1+18x24x1 (406x610x25+457x610x25)	4.0 5.0	-	-	-	-	-	-	-	-	-	0.15	0.17	0.18	0.20	0.21	0.22	0.23

FILTER PRESSURE DROP TABLE (IN. W.C.)																	
FILTER SIZE IN. (MM)	CLG TONS	STANDARD CFM (SCFM)															
		600	700	800	900	1000	1100	1200	1300	1400	1500	1600	1700	1800	1900	2000	2100
600-1400CFM 12x20x1+12x20x1 (305x508x25+305x508x25)	2.0, 2.5	0.03	0.05	0.06	0.08	0.10	0.11	0.13	0.14	0.16	-	-	-	-	-	-	-
1200-1800 CFM 16x24x1+14x24x1 (406x610x25+356x610x25)	3.0, 3.5	-	-	-	-	-	-	0.07	0.08	0.09	0.09	0.10	0.11	0.12	-	-	-
1500-2200 CFM 16x24x1+18x24x1 (406x610x25+457x610x25)	4.0 5.0	-	-	-	-	-	-	-	-	-	0.04	0.06	0.08	0.10	0.11	0.13	0.14

ELECTRIC HEAT PRESSURE DROP TABLES (IN. W.C.)													
Small Cabinet: 24-30													
STATIC	STANDARD CFM (SCFM)												
	500	600	700	800	900	1000	1100	1200	1300	1400	1500	1600	1600
5 kW	0.00	0.00	0.00	0.00	0.00	0.00	0.00	0.00	0.02	0.04	0.06	0.07	0.07
10 kW	0.00	0.00	0.00	0.00	0.00	0.02	0.04	0.06	0.07	0.09	0.10	0.11	0.11
15 kW	0.00	0.00	0.00	0.02	0.04	0.06	0.08	0.10	0.12	0.14	0.16	0.18	0.18
20 kW	0.00	0.00	0.02	0.04	0.06	0.08	0.09	0.11	0.13	0.15	0.17	0.19	0.19

Large Cabinet: 36-60															
STATIC	STANDARD CFM (SCFM)														
	1100	1200	1300	1400	1500	1600	1700	1800	1900	2000	2100	2200	2300	2400	2500
5 kW	0.00	0.00	0.00	0.01	0.02	0.03	0.04	0.05	0.06	0.07	0.08	0.09	0.10	0.11	0.12
10 kW	0.00	0.00	0.01	0.02	0.03	0.04	0.05	0.06	0.07	0.08	0.09	0.10	0.11	0.12	0.13
15 kW	0.00	0.02	0.03	0.04	0.05	0.06	0.07	0.08	0.09	0.10	0.11	0.12	0.13	0.14	0.15
20 kW	0.02	0.03	0.04	0.05	0.06	0.07	0.08	0.09	0.10	0.11	0.12	0.13	0.14	0.15	0.16

MINIMUM AIRFLOW FOR SAFE ELECTRIC HEATER OPERATION (CFM)						
SIZE	24	30	36	42	48	60
Cfm	850	1000	1200	1400	1600	1750

MULTIPLICATION FACTORS		
HEATER kW RATING	VOLTAGE DISTRIBUTION V/3/60	MULTIPLICATION FACTOR
240	200	0.69
	208	0.75
	230	0.92
	240	1.00

ELECTRICAL DATA

UNIT	NOMINAL	VOLTAGE RANGE		COMPRESSOR		OFM	IFM	ELECTRIC HEAT		POWER SUPPLY	
		MIN	MAX	RLA	LRA	FLA	FLA	NOMINAL	FLA	MCA	MOCP
								kW			
PHR524000K	208/230-1-60	197	253	11.7	58.3	0.6	4.1	-/-	-/-	19.3	30
								3.8/5	18.1/20.8	42/45.3	45/50
								5.4/7.2	25.9/30	51.7/56.8	60/60
								7.5/10	36.1/41.7	64.5/71.5	70/80
PHR530000K	208/230-1-60	197	253	13.1	73.0	0.9	4.1	-/-	-/-	21.7	30
								3.8/5	18.1/20.8	44/47.4	45/50
								5.4/7.2	25.9/30	53.8/58.9	60/60
								7.5/10	36.1/41.7	66.5/73.5	70/80
PHR530000H	208/230-3-60	197	253	8.7	58.0	0.9	4.1	-/-	-/-	16.2	20
								3.8/5	10.4/12	28.9/30.9	30/35
								7.5/10	20.8/24.1	41.9/46	45/50
								11.3/15	31.2/36.1	54.9/61	60/70
PHR536000K	208/230-1-60	197	253	15.3	83.0	1.2	6.0	-/-	-/-	26.3	40
								3.8/5	18.1/20.8	49/52.3	50/60
								5.4/7.2	25.9/30	58.7/63.8	60/70
								7.5/10	36.1/41.7	71.5/78.5	80/80
PHR536000H	208/230-3-60	197	253	11.6	73.0	1.2	6.0	-/-	-/-	21.7	30
								3.8/5	10.4/12	34.7/36.7	35/40
								7.5/10	20.8/24.1	47.7/51.8	50/60
								11.3/15	31.2/36.1	60.7/66.8	70/70
PHR542000K	208/230-1-60	197	253	20.4	96.0	1.2	6.0	-/-	-/-	32.7	45
								3.8/5	18.1/20.8	55.3/58.7	60/60
								5.4/7.2	25.9/30	65.1/70.2	70/80
								7.5/10	36.1/41.7	77.8/84.8	80/90
								11.3/15	54.2/62.5	100.5/110.8	110/125
PHR542000H	208/230-3-60	197	253	14.2	88.0	1.2	6.0	15/20	72.2/83.3	123/136.8	125/150
								-/-	-/-	25	35
								3.8/5	10.4/12	38/40	40/40
								7.5/10	20.8/24.1	51/55.1	60/60
								11.3/15	31.2/36.1	64/70.1	70/80
PHR548000K	208/230-1-60	197	253	21.2	104.0	1.2	7.6	-/-	-/-	35.3	50
								3.8/5	18.1/20.8	57.9/61.3	60/70
								5.4/7.2	25.9/30	67.7/72.8	70/80
								7.5/10	36.1/41.7	80.4/87.4	90/90
								11.3/15	54.2/62.5	103.1/113.4	110/125
PHR548000H	208/230-3-60	197	253	14.0	83.1	1.2	7.6	15/20	41.4/47.9	76.7/84.8	80/90
								-/-	-/-	26.3	40
								3.8/5	10.4/12	39.3/41.3	40/45
								7.5/10	20.8/24.1	52.3/56.4	60/60
								11.3/15	31.2/36.1	65.3/71.4	70/80
PHR560000K	208/230-1-60	197	253	28.8	152.9	1.2	7.6	-/-	-/-	44.8	60
								3.8/5	18.1/20.8	67.4/70.8	70/80
								5.4/7.2	25.9/30	77.2/82.3	80/90
								7.5/10	36.1/41.7	89.9/96.9	90/100
								11.3/15	54.2/62.5	112.6/122.9	125/125
PHR560000H	208/230-3-60	197	253	16.2	110.0	1.2	7.6	15/20	72.2/83.3	135.1/148.9	150/150
								-/-	-/-	29.1	40
								3.8/5	10.4/12	42.1/44.1	45/45
								7.5/10	20.8/24.1	55.1/59.2	60/60
								11.3/15	31.2/36.1	68.1/74.2	70/80
								15/20	41.4/47.9	80.8/88.9	90/90

LEGEND

- FLA = Full Load Amps
- LRA = Locked Rotor Amps
- MCA = Minimum Circuit Ampacity
- MOCP = Maximum Overcurrent Protection
- RLA = Rated Load Amps

LEGEND

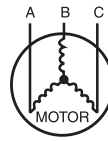
- FLA - Full Load Amps
- IDM - Inducer Motor
- IFM - Indoor Fan Motor
- LRA - Locked Rotor Amps
- MCA - Minimum Circuit Amps
- MOCP - Maximum Over Current Protection
- OFM - Outdoor Fan Motor
- RLA - Rated Load Amps

NOTES:

1. In compliance with NEC (National Electrical Code) requirements for multimotor and combination load equipment (refer to NEC Articles 430 and 440), the overcurrent protective device for the unit shall be Power Supply fuse or circuit breaker.
2. Minimum wire size is based on 60 C copper wire. If other than 60 C wire is used, or if length exceeds wire length in table, determine size from NEC.
3. Unbalanced 3-Phase Supply Voltage
Never operate a motor where a phase imbalance in supply voltage is greater than 2%. Use the following formula to determine the percentage of voltage imbalance

% Voltage imbalance
 = 100 x $\frac{\text{max voltage deviation from average voltage}}{\text{average voltage}}$

EXAMPLE: Supply voltage is 230-3-60.



AB = 228 v
 BC = 231 v
 AC = 227 v

$$\text{Average Voltage} = \frac{228 + 231 + 227}{3}$$

$$= \frac{686}{3}$$

$$= 229$$

Determine maximum deviation from average voltage.

(AB) 229 - 228 = 1 v
 (BC) 231 - 229 = 2 v
 (AC) 229 - 227 = 2 v

Maximum deviation is 2 v.

Determine percent of voltage imbalance

% Voltage Imbalance = 100 x $\frac{2}{229}$
 = 0.8%

This amount of phase imbalance is satisfactory as it is below the maximum allowable 2%.

IMPORTANT: If the supply voltage phase imbalance is more than 2%, contact your local electric utility company immediately.

A06564

AHRI* CAPACITIES

COOLING CAPACITIES AND EFFICIENCIES

Unit Model	Nominal Tons	Standard CFM (High / Low Stage)	Net Cooling Capacities - Btuh (High Stage)	EER @A**	SEER†
24	2	850 / 650	23000	12.0	15.0
30	2-1/2	1000 / 750	30000	12.0	15.0
36	3	1200 / 900	34000	12.0	15.0
42	3-1/2	1400 / 1050	42000	12.0	15.0
48	4	1600 / 1200	47500	12.5	15.5
60	5	1750 / 1200	57000	12.0	15.0

LEGEND

db—Sound Levels (decibels)

db—Dry Bulb

SEER—Seasonal Energy Efficiency Ratio

wb—Wet Bulb

COP—Coefficient of Performance

* Air Conditioning, Heating & Refrigeration Institute.

**At "A" conditions—80°F (26.7°C) indoor db/67°F (19.4°C) indoor wb & 95°F (35°C) outdoor db.

† Rated in accordance with U.S. Government DOE Department of Energy) test procedures and/or AHRI Standards 210/240.

Notes:

1. Ratings are net values, reflecting the effects of circulating fan heat.

Ratings are based on:

Cooling Standard: 80°F (26.7°C) db, 67°F wb (19.4°C) indoor entering—air temperature and 95°F db (35°C) outdoor entering—air temperature.

2. Before purchasing this appliance, read important energy cost and efficiency information available from AHRI directory.org.

Unit Model	Heating Capacity (BTUH) @ 47°F (8.3°C)	COP @ 47°F (8.3°C)	Heating Capacity (BTUH) @ 17°F (8.3°C)	COP @ 17°F (8.3°C)	HSPF	Heating Cd
24	23,000	3.8	11200	2.2	8.0	0.25
30	29,000	3.8	15400	2.3	8.0	0.25
36	34,000	3.7	17200	2.3	8.0	0.25
42	42,000	3.6	24000	2.5	8.0	0.25
48	47,000	3.7	26000	2.3	8.0	0.25
60	57,000	3.5	32400	2.4	8.5	0.25

PHR524 EXTENDED COOLING PERFORMANCE - LOW COOL

		CONDENSER ENTERING AIR TEMPERATURES deg F, Dry Bulb																										
		75 (23.8°C)				85 (29.4°C)				95 (35°C)				105 (40.5°C)				115 (46.1°C)										
		57	62	63††	67	72	77	82	87	92	97	102	107	112	117	122	127	132	137	142	147	152	157	162	167			
CFM	525	MBH†	17.15	17.62	17.88	19.22	21.00	16.26	16.56	16.80	18.05	19.72	15.31	15.46	15.67	16.82	18.39	14.30	14.32	14.45	15.52	16.97	13.18	13.20	13.13	14.11	15.46	
		S/T‡	1.00	0.93	0.75	0.72	0.53	1.00	0.96	0.77	0.74	0.54	1.00	0.99	0.79	0.76	0.56	1.00	1.00	0.82	0.79	0.57	1.00	1.00	0.86	0.83	0.59	
		AMPS*	4.43	4.40	4.39	4.30	4.18	5.34	5.32	5.30	5.21	5.10	6.37	6.36	6.35	6.26	6.14	7.55	7.55	7.55	7.46	7.35	8.92	8.92	8.93	8.85	8.74	
		HI PR	252	253	253	255	258	292	293	293	296	299	336	337	337	340	343	385	385	386	388	392	439	439	439	438	441	445
		LO PR	125	129	130	130	139	151	130	132	133	142	154	134	135	137	146	158	140	140	140	150	161	146	146	146	145	154
650	MBH†	18.29	18.35	18.51	19.89	21.71	17.30	17.32	17.34	18.62	20.34	16.25	16.27	16.13	17.31	18.91	15.13	15.15	14.83	15.92	17.40	13.91	13.93	13.43	14.43	15.80		
	S/T‡	1.00	1.00	0.80	0.77	0.56	1.00	1.00	0.82	0.80	0.57	1.00	1.00	0.85	0.83	0.59	1.00	1.00	0.89	0.86	0.61	1.00	1.00	0.94	0.91	0.63		
	AMPS*	4.47	4.46	4.46	4.36	4.25	5.38	5.38	5.38	5.29	5.17	6.41	6.41	6.41	6.43	6.33	6.22	7.60	7.60	7.63	7.54	7.43	8.98	8.97	9.02	8.93	8.82	
	HI PR	254	254	254	257	260	294	294	294	297	300	339	339	338	341	345	388	388	388	387	390	393	441	441	441	439	442	446
	LO PR	134	135	135	145	156	138	138	138	148	159	143	143	141	151	163	148	148	145	154	166	166	154	154	149	158	170	
700	MBH†	18.67	18.70	18.69	20.09	21.93	17.64	17.67	17.51	18.80	20.52	16.56	16.58	16.27	17.46	19.07	15.40	15.42	14.95	16.04	17.53	14.14	14.14	14.16	13.53	14.52	15.89	
	S/T‡	1.00	1.00	0.82	0.79	0.57	1.00	1.00	0.85	0.82	0.58	1.00	1.00	0.88	0.85	0.60	1.00	1.00	0.92	0.89	0.62	1.00	1.00	0.96	0.94	0.65		
	AMPS*	4.49	4.49	4.49	4.40	4.28	5.40	5.40	5.41	5.32	5.20	6.43	6.43	6.46	6.37	6.25	7.63	7.62	7.67	7.58	7.46	9.00	9.00	9.00	9.06	8.97	8.86	
	HI PR	255	255	255	257	260	295	295	295	297	301	340	340	339	342	345	388	389	387	390	394	442	442	442	440	443	447	
	LO PR	137	137	137	146	158	141	141	141	140	149	161	146	146	143	153	164	151	151	146	156	168	156	157	150	160	172	

PHR524 EXTENDED COOLING PERFORMANCE - HIGH COOL

		CONDENSER ENTERING AIR TEMPERATURES deg F, Dry Bulb																										
		75 (23.8°C)				85 (29.4°C)				95 (35°C)				105 (40.5°C)				115 (46.1°C)										
		57	62	63††	67	72	77	82	87	92	97	102	107	112	117	122	127	132	137	142	147	152	157	162	167			
CFM	700	MBH†	20.29	21.00	21.32	22.95	25.11	20.30	20.83	21.13	22.73	24.86	20.17	20.50	20.79	22.34	24.42	19.88	20.01	20.25	21.75	23.77	19.39	19.42	19.49	20.92	22.87	
		S/T‡	1.00	0.91	0.73	0.71	0.53	1.00	0.93	0.75	0.72	0.53	1.00	0.96	0.76	0.74	0.54	1.00	0.98	0.79	0.76	0.55	1.00	1.00	0.82	0.79	0.57	
		AMPS*	6.76	6.77	6.78	6.82	6.88	7.41	7.43	7.43	7.49	7.56	8.11	8.12	8.13	8.19	8.27	8.87	8.87	8.88	8.94	9.03	9.70	9.70	9.70	9.76	9.85	
		HI PR	265	267	267	271	275	307	308	308	312	317	352	353	353	357	362	402	402	402	402	407	412	456	456	456	460	465
		LO PR	122	126	127	136	148	126	129	130	139	151	130	132	133	142	154	134	135	136	145	157	157	139	140	140	149	161
850	MBH†	21.62	21.85	22.08	23.76	25.97	21.57	21.67	21.83	23.47	25.65	21.38	21.41	21.41	23.00	25.13	21.00	21.03	20.80	22.33	24.39	20.41	20.44	19.96	21.40	23.38		
	S/T‡	1.00	0.97	0.78	0.75	0.55	1.00	0.99	0.79	0.77	0.56	1.00	1.00	0.82	0.79	0.57	1.00	1.00	0.84	0.82	0.58	1.00	1.00	0.88	0.85	0.60		
	AMPS*	6.91	6.91	6.92	6.96	7.03	7.57	7.57	7.58	7.63	7.72	8.27	8.27	8.27	8.33	8.42	9.03	9.03	9.02	9.08	9.18	9.86	9.86	9.84	9.90	9.99		
	HI PR	268	269	269	273	277	310	310	310	314	319	355	355	355	359	364	405	405	404	408	414	459	459	458	462	467		
	LO PR	130	131	132	142	153	134	134	135	144	156	138	138	137	147	159	142	142	140	150	162	147	147	144	144	153	165	
900	MBH†	21.99	22.12	22.29	23.98	26.20	21.93	21.96	22.01	23.66	25.85	21.71	21.75	21.58	23.17	25.31	21.31	21.34	20.94	22.48	24.54	20.70	20.72	20.08	21.53	23.50		
	S/T‡	1.00	0.98	0.79	0.76	0.56	1.00	1.00	0.81	0.79	0.57	1.00	1.00	0.83	0.81	0.58	1.00	1.00	0.86	0.84	0.59	1.00	1.00	0.90	0.88	0.61		
	AMPS*	6.96	6.96	6.96	7.01	7.08	7.62	7.62	7.62	7.68	7.77	8.32	8.32	8.32	8.38	8.47	9.08	9.08	9.06	9.13	9.23	9.91	9.91	9.91	9.88	9.95	10.04	
	HI PR	269	269	270	273	278	311	311	311	315	320	356	356	356	360	365	406	406	405	409	414	460	460	460	458	462	467	
	LO PR	132	133	133	143	155	136	136	136	146	158	140	140	139	148	160	144	145	142	151	163	144	149	150	145	155	167	

See Legend and Notes on Page 12.

PHR530 EXTENDED COOLING PERFORMANCE – LOW COOL

CFM		CONDENSER ENTERING AIR TEMPERATURES deg F, Dry Bulb																								
		75 (23.8°C)				85 (29.4°C)				95 (35°C)				105 (40.5°C)				115 (46.1°C)								
		57	62	63††	72	57	62	63††	72	57	62	63††	72	57	62	63††	72	57	62	63††	72					
655	MBH†	21.92	22.61	22.99	24.79	27.24	20.96	21.42	21.77	23.47	25.80	19.92	20.16	20.48	22.07	24.27	18.79	18.85	19.09	20.58	22.65	17.54	17.57	17.56	18.95	20.89
	S/T‡	1.00	0.91	0.73	0.70	0.52	1.00	0.92	0.73	0.71	0.52	1.00	0.93	0.74	0.71	0.52	1.00	1.00	0.74	0.72	0.52	1.00	1.00	0.76	0.73	0.52
	AMPS*	6.17	6.14	6.13	6.05	5.94	6.73	6.71	6.70	6.62	6.52	7.33	7.32	7.31	7.24	7.15	7.99	7.98	7.98	7.91	7.82	8.70	8.70	8.70	8.64	8.56
	HI PR	253	254	255	257	261	294	294	295	298	301	338	339	339	342	346	387	387	387	390	395	440	440	440	443	448
	LO PR	125	129	130	140	152	129	132	133	143	155	133	135	136	146	158	138	139	140	149	161	144	144	144	153	165
750	MBH†	22.91	23.22	23.53	25.38	27.87	21.86	21.99	22.25	23.98	26.35	20.75	20.78	20.89	22.52	24.75	19.54	19.57	19.43	20.95	23.05	18.21	18.24	18.24	19.26	21.21
	S/T‡	1.00	0.96	0.76	0.73	0.53	1.00	0.96	0.76	0.74	0.53	1.00	1.00	0.77	0.75	0.53	1.00	1.00	0.78	0.76	0.54	1.00	1.00	0.80	0.77	0.54
	AMPS*	6.25	6.24	6.22	6.14	6.04	6.81	6.80	6.80	6.72	6.62	7.41	7.41	7.41	7.33	7.24	8.06	8.06	8.07	8.00	7.92	8.78	8.78	8.80	8.74	8.66
	HI PR	255	255	256	258	262	295	295	296	299	302	340	340	340	343	347	389	389	388	391	396	442	442	441	444	449
	LO PR	131	133	134	143	155	135	136	137	146	158	139	139	139	149	161	144	144	143	152	164	149	149	149	156	168
840	MBH†	23.70	23.75	23.93	25.81	28.34	22.59	22.63	22.60	24.36	26.76	21.41	21.45	21.19	22.85	25.10	20.13	20.16	19.68	21.23	23.34	18.73	18.76	18.06	19.48	21.44
	S/T‡	1.00	1.00	0.79	0.76	0.55	1.00	1.00	0.80	0.77	0.55	1.00	1.00	0.81	0.78	0.55	1.00	1.00	0.82	0.79	0.56	1.00	1.00	0.84	0.81	0.56
	AMPS*	6.33	6.33	6.32	6.24	6.13	6.89	6.89	6.89	6.81	6.71	7.49	7.49	7.50	7.43	7.33	8.14	8.14	8.14	8.17	8.10	8.86	8.86	8.89	8.83	8.75
	HI PR	256	256	256	259	262	297	297	297	299	303	341	341	341	344	348	390	390	389	392	396	444	444	442	445	449
	LO PR	136	136	137	146	158	140	140	139	149	161	144	144	142	152	164	148	148	145	155	167	153	154	149	158	170

PHR530 EXTENDED COOLING PERFORMANCE – HIGH COOL

CFM		CONDENSER ENTERING AIR TEMPERATURES deg F, Dry Bulb																								
		75 (23.8°C)				85 (29.4°C)				95 (35°C)				105 (40.5°C)				115 (46.1°C)								
		57	62	63††	72	57	62	63††	72	57	62	63††	72	57	62	63††	72	57	62	63††	72					
875	MBH†	26.50	27.54	28.00	30.21	33.23	26.44	27.23	27.68	29.87	32.85	26.24	26.77	27.21	29.34	32.27	25.86	26.12	26.51	28.59	31.46	25.25	25.30	25.54	27.55	30.33
	S/T‡	1.00	0.91	0.73	0.70	0.52	1.00	0.93	0.74	0.72	0.53	1.00	0.95	0.76	0.73	0.53	1.00	0.98	0.78	0.75	0.54	1.00	1.00	0.80	0.78	0.56
	AMPS*	8.87	8.91	8.92	9.01	9.14	9.68	9.71	9.72	9.82	9.94	10.58	10.60	10.61	10.70	10.83	11.59	11.60	11.62	11.70	11.83	12.75	12.75	12.75	12.83	12.94
	HI PR	267	269	270	274	279	309	311	311	315	321	355	356	357	361	367	405	406	406	411	417	460	460	460	465	471
	LO PR	121	126	127	136	148	125	128	130	139	151	129	131	132	142	154	133	134	135	145	157	137	138	138	148	160
1000	MBH†	27.75	28.32	28.73	31.00	34.07	27.64	27.98	28.36	30.59	33.62	27.39	27.51	27.82	30.00	32.97	26.95	27.00	27.06	29.18	32.07	26.27	26.31	26.02	28.06	30.85
	S/T‡	1.00	0.95	0.76	0.73	0.54	1.00	0.97	0.77	0.75	0.55	1.00	0.99	0.79	0.77	0.55	1.00	1.00	0.82	0.79	0.57	1.00	1.00	0.84	0.82	0.58
	AMPS*	9.06	9.08	9.09	9.18	9.31	9.86	9.88	9.89	9.99	10.12	10.76	10.77	10.78	10.87	11.00	11.77	11.77	11.77	11.86	11.99	12.92	12.92	12.91	12.99	13.10
	HI PR	270	271	271	275	280	312	312	313	317	322	357	358	358	363	368	408	408	408	412	418	462	462	462	466	472
	LO PR	127	129	131	140	152	130	132	133	143	155	134	135	136	145	157	138	138	138	148	160	143	143	141	151	163
1125	MBH†	28.82	29.04	29.32	31.62	34.73	28.68	28.73	28.90	31.16	34.22	28.38	28.42	28.31	30.51	33.51	27.87	27.92	27.49	29.63	32.55	27.11	27.16	26.40	28.46	31.25
	S/T‡	1.00	0.98	0.79	0.76	0.55	1.00	1.00	0.81	0.78	0.56	1.00	1.00	0.83	0.80	0.57	1.00	1.00	0.85	0.83	0.59	1.00	1.00	0.88	0.86	0.60
	AMPS*	9.24	9.25	9.25	9.35	9.49	10.05	10.05	10.05	10.15	10.29	10.94	10.94	10.93	11.03	11.17	11.95	11.95	11.93	12.02	12.15	13.08	13.09	13.05	13.14	13.26
	HI PR	272	272	272	276	281	314	314	314	318	324	360	360	359	364	370	410	410	409	414	420	465	465	463	468	474
	LO PR	132	133	134	143	155	135	136	136	146	158	139	139	138	148	160	143	143	141	151	163	148	148	144	154	166

See Legend and Notes on Page 12.

PHR536 EXTENDED COOLING PERFORMANCE – LOW COOL

		CONDENSER ENTERING AIR TEMPERATURES deg F, Dry Bulb																			
		75 (23.8°C)				85 (29.4°C)				95 (35°C)				105 (40.5°C)				115 (46.1°C)			
		ENTERING INDOOR TEMPERATURE – deg F, Wet Bulb				ENTERING INDOOR TEMPERATURE – deg F, Wet Bulb				ENTERING INDOOR TEMPERATURE – deg F, Wet Bulb				ENTERING INDOOR TEMPERATURE – deg F, Wet Bulb				ENTERING INDOOR TEMPERATURE – deg F, Wet Bulb			
CFM	57	62	63††	67	72	57	62	63††	67	72	57	62	63††	67	72	57	62	63††	67	72	
785	MBH†	24.53	25.14	25.47	27.50	30.11	23.23	23.61	23.90	25.80	28.26	21.88	22.06	22.29	24.05	26.37	20.46	20.49	20.59	22.22	24.39
	S/T‡	1.00	0.93	0.74	0.72	0.53	1.00	0.95	0.75	0.73	0.53	1.00	0.96	0.77	0.74	0.54	1.00	1.00	0.78	0.76	0.54
	AMPS*	6.86	6.83	6.82	6.73	6.62	7.61	7.60	7.59	7.50	7.39	8.44	8.43	8.43	8.34	8.24	9.36	9.36	9.36	9.28	9.18
	HI PR	253	253	254	256	259	293	293	294	296	300	337	337	338	341	344	386	386	386	389	393
	LO PR	124	127	128	138	149	128	130	131	140	152	132	133	134	143	155	137	137	137	146	158
900	MBH†	25.61	25.85	26.08	28.14	30.81	24.22	24.29	24.44	26.37	28.88	22.78	22.82	22.75	24.54	26.90	21.26	21.30	20.98	22.65	24.84
	S/T‡	1.00	0.97	0.78	0.75	0.55	1.00	1.00	0.79	0.76	0.55	1.00	1.00	0.80	0.78	0.56	1.00	1.00	0.82	0.80	0.56
	AMPS*	6.92	6.91	6.91	6.81	6.70	7.68	7.68	7.68	7.58	7.48	8.51	8.51	8.51	8.43	8.32	9.43	9.43	9.45	9.36	9.27
	HI PR	254	254	255	257	260	294	294	295	297	300	339	339	339	341	345	388	388	387	390	394
	LO PR	130	131	132	141	152	134	134	134	144	155	138	138	137	146	158	142	142	140	149	161
1010	MBH†	26.49	26.53	26.53	28.64	31.34	25.03	25.07	24.84	26.80	29.34	23.51	23.54	23.09	24.92	27.29	21.91	21.95	21.28	22.96	25.17
	S/T‡	1.00	1.00	0.81	0.78	0.56	1.00	1.00	0.82	0.80	0.57	1.00	1.00	0.84	0.81	0.57	1.00	1.00	0.86	0.84	0.58
	AMPS*	6.99	6.99	7.00	6.90	6.79	7.75	7.75	7.76	7.67	7.56	8.58	8.58	8.60	8.52	8.41	9.50	9.50	9.54	9.45	9.35
	HI PR	255	255	255	258	261	296	296	295	298	301	340	340	339	342	346	389	389	388	391	394
	LO PR	134	135	134	144	155	138	138	137	146	158	142	142	139	149	161	146	146	142	152	164

PHR536 EXTENDED COOLING PERFORMANCE – HIGH COOL

		CONDENSER ENTERING AIR TEMPERATURES deg F, Dry Bulb																			
		75 (23.8°C)				85 (29.4°C)				95 (35°C)				105 (40.5°C)				115 (46.1°C)			
		ENTERING INDOOR TEMPERATURE – deg F, Wet Bulb				ENTERING INDOOR TEMPERATURE – deg F, Wet Bulb				ENTERING INDOOR TEMPERATURE – deg F, Wet Bulb				ENTERING INDOOR TEMPERATURE – deg F, Wet Bulb				ENTERING INDOOR TEMPERATURE – deg F, Wet Bulb			
CFM	57	62	63††	67	72	57	62	63††	67	72	57	62	63††	67	72	57	62	63††	67	72	
1050	MBH†	29.99	31.04	31.47	33.96	37.19	30.02	30.82	31.24	33.70	36.92	29.88	30.42	30.80	33.23	36.41	29.55	29.82	30.14	32.52	35.63
	S/T‡	1.00	0.91	0.73	0.71	0.53	1.00	0.93	0.75	0.72	0.54	1.00	0.95	0.76	0.74	0.54	1.00	0.98	0.78	0.76	0.55
	AMPS*	10.01	10.05	10.07	10.17	10.30	10.97	11.00	11.02	11.12	11.26	12.02	12.05	12.06	12.16	12.30	13.21	13.22	13.23	13.33	13.46
	HI PR	267	269	269	273	277	309	310	311	314	319	355	355	356	360	365	405	405	406	410	415
	LO PR	118	122	123	133	144	122	125	126	135	146	125	127	128	138	149	129	130	131	140	152
1200	MBH†	31.38	31.94	32.29	34.84	38.14	31.36	31.70	32.01	34.53	37.80	31.18	31.27	31.52	34.00	37.23	30.79	30.84	30.79	33.22	36.38
	S/T‡	1.00	0.95	0.76	0.74	0.54	1.00	0.97	0.78	0.75	0.55	1.00	1.00	0.80	0.77	0.56	1.00	1.00	0.82	0.79	0.57
	AMPS*	10.19	10.22	10.23	10.33	10.48	11.15	11.16	11.18	11.28	11.43	12.20	12.21	12.21	12.32	12.47	13.38	13.38	13.38	13.48	13.63
	HI PR	269	270	270	274	279	311	311	312	316	321	357	357	357	361	367	407	407	407	411	417
	LO PR	124	126	127	136	148	127	128	129	139	150	131	131	132	141	152	135	135	134	144	155
1350	MBH†	32.57	32.83	32.96	35.54	38.89	32.52	32.58	32.62	35.19	38.51	32.29	32.34	32.09	34.61	37.88	31.84	31.89	31.32	33.77	36.96
	S/T‡	1.00	0.97	0.79	0.77	0.56	1.00	1.00	0.81	0.78	0.57	1.00	1.00	0.83	0.80	0.58	1.00	1.00	0.85	0.83	0.59
	AMPS*	10.37	10.38	10.38	10.49	10.65	11.33	11.33	11.33	11.44	11.59	12.37	12.38	12.36	12.47	12.63	13.55	13.55	13.53	13.63	13.78
	HI PR	271	271	271	275	280	313	313	313	317	322	359	359	358	363	368	409	409	408	413	418
	LO PR	129	130	130	139	151	132	132	132	142	153	135	136	134	144	155	139	139	137	146	158

See Legend and Notes on Page 12.

PHR542 EXTENDED COOLING PERFORMANCE – LOW COOL

CFM		CONDENSER ENTERING AIR TEMPERATURES deg F, Dry Bulb																																																																
		75 (23.8°C)						85 (29.4°C)						95 (35°C)						105 (40.5°C)						115 (46.1°C)																																								
		57	62	63††	67	72	72	57	62	63††	67	72	72	57	62	63††	67	72	72	57	62	63††	67	72	72	57	62	63††	67	72	72																																			
	MBH†	29.52	30.35	30.73	33.18	36.31	29.22	29.81	30.17	32.56	35.62	28.70	29.02	29.34	31.66	34.66	27.93	28.00	28.23	30.47	33.38	26.88	26.92	26.79	28.92	31.75	1.00	0.92	0.74	0.71	0.53	1.00	0.94	0.75	0.72	0.53	1.00	1.00	0.77	0.74	0.53	1.00	1.00	0.79	0.76	0.53	1.00	1.00	0.79	0.76	0.53															
915	S/T‡	8.24	8.21	8.20	8.10	7.97	8.73	8.71	8.70	8.59	8.46	9.28	9.26	9.25	9.14	9.00	9.86	9.86	9.85	9.73	9.59	10.48	10.48	10.49	10.37	10.21	338	254	255	257	260	387	387	388	391	395	441	441	440	444	448	140	140	140	139	148	140	140	139	144	155	140	140	139	144	155	140	140	139	144	155	140	140	139	144	155
	HI PR	122	125	126	135	145	126	128	129	138	148	130	131	132	141	151	135	135	135	144	155	140	140	138	147	158	145	145	145	142	151	145	145	145	142	151	145	145	145	142	151	145	145	145	142	151	145	145	145	142	151															
	LO PR	30.80	31.19	31.46	33.99	37.17	30.44	30.63	30.84	33.28	36.41	29.85	29.90	29.94	32.32	35.37	29.01	29.06	28.76	31.03	34.01	27.86	27.91	27.23	29.41	32.28	1.00	0.96	0.77	0.74	0.54	1.00	1.00	0.79	0.76	0.54	1.00	1.00	0.80	0.78	0.55	1.00	1.00	0.80	0.78	0.55	1.00	1.00	0.80	0.78	0.55	1.00	1.00	0.80	0.78	0.55										
1050	S/T‡	8.34	8.33	8.32	8.22	8.09	8.83	8.82	8.82	8.71	8.57	9.36	9.36	9.36	9.25	9.11	9.94	9.93	9.96	9.83	9.68	10.55	10.54	10.59	10.46	10.30	340	255	256	258	262	389	389	389	392	396	442	442	442	441	445	442	442	442	441	445	442	442	442	441	445	442	442	442	441	445										
	HI PR	128	129	130	138	149	131	132	132	141	152	135	135	135	144	155	140	140	138	147	158	145	145	145	142	151	145	145	145	142	151	145	145	145	142	151	145	145	145	142	151	145	145	145	142	151																				
	LO PR	31.85	31.93	32.02	34.59	37.82	31.44	31.49	31.34	33.84	37.00	30.79	30.84	30.40	32.80	35.90	29.88	29.92	29.15	31.47	34.47	28.65	28.69	27.58	29.77	32.66	1.00	1.00	0.79	0.77	0.55	1.00	1.00	0.80	0.78	0.55	1.00	1.00	0.84	0.81	0.57	1.00	1.00	0.84	0.81	0.57	1.00	1.00	0.84	0.81	0.57															
1180	S/T‡	8.45	8.45	8.45	8.34	8.21	8.93	8.92	8.94	8.82	8.69	9.45	9.45	9.48	9.36	9.21	10.02	10.01	10.06	9.94	9.78	10.62	10.61	10.69	10.56	10.40	342	256	256	259	262	390	390	389	393	396	444	444	444	442	445	444	444	444	442	445	444	444	444	442	445															
	HI PR	132	132	132	141	152	135	136	135	144	154	139	140	137	147	157	144	144	141	150	160	149	149	149	144	153	149	149	149	144	153	149	149	149	144	153	149	149	149	144	153																									
	LO PR																																																																	

PHR542 EXTENDED COOLING PERFORMANCE – HIGH COOL

CFM		CONDENSER ENTERING AIR TEMPERATURES deg F, Dry Bulb																																																	
		75 (23.8°C)						85 (29.4°C)						95 (35°C)						105 (40.5°C)						115 (46.1°C)																									
		57	62	63††	67	72	72	57	62	63††	67	72	72	57	62	63††	67	72	72	57	62	63††	67	72	72	57	62	63††	67	72	72																				
	MBH†	38.98	40.38	40.90	44.01	47.98	38.14	39.21	39.69	42.69	46.53	37.10	37.82	38.26	41.12	44.80	35.84	36.23	36.56	39.28	42.80	34.33	34.39	34.60	37.16	40.50	1.00	0.85	0.69	0.66	0.50	1.00	0.88	0.71	0.68	0.51	1.00	0.91	0.73	0.71	0.52	1.00	0.95	0.76	0.73	0.54	1.00	1.00	0.79	0.77	0.56
1225	S/T‡	12.94	12.97	12.97	13.03	13.10	13.87	13.89	13.90	13.97	14.06	14.91	14.93	14.94	15.01	15.11	16.07	16.08	16.09	16.17	16.27	17.33	17.33	17.33	17.41	17.52	269	271	271	275	279	407	407	408	412	417	461	461	462	466	471	461	461	462	466	471					
	HI PR	116	120	121	130	141	120	123	124	133	144	124	126	127	136	147	128	129	130	139	150	133	133	133	133	142	133	133	133	133	142	133	133	133	133	142	133	133	133	133	142										
	LO PR	40.69	41.49	41.91	45.10	49.14	39.76	40.27	40.62	43.68	47.58	38.61	38.84	39.08	42.00	45.74	37.22	37.29	37.28	40.04	43.62	35.58	35.64	35.21	37.80	41.20	1.00	0.89	0.71	0.69	0.51	1.00	0.92	0.73	0.71	0.52	1.00	1.00	0.80	0.77	0.56	1.00	1.00	0.83	0.81	0.58					
1400	S/T‡	13.16	13.17	13.18	13.24	13.31	14.08	14.10	14.10	14.17	14.26	15.13	15.14	15.14	15.22	15.32	16.28	16.28	16.28	16.37	16.48	17.53	17.54	17.52	17.61	17.72	271	272	272	276	281	409	409	409	413	419	464	464	463	467	473	464	464	463	467	473					
	HI PR	122	124	124	134	145	125	127	127	136	147	129	130	130	139	150	133	133	133	142	153	138	138	136	145	156	138	138	138	138	145	138	138	138	138	145	138	138	138	138	145										
	LO PR	42.16	42.48	42.73	45.97	50.06	41.14	41.22	41.36	44.46	48.41	39.89	39.95	39.73	42.69	46.48	38.39	38.45	37.84	40.64	44.26	36.62	36.67	35.70	38.31	41.72	1.00	0.92	0.74	0.71	0.52	1.00	1.00	0.79	0.77	0.55	1.00	1.00	0.83	0.81	0.57	1.00	1.00	0.87	0.85	0.60					
1575	S/T‡	13.37	13.38	13.38	13.44	13.52	14.30	14.30	14.30	14.38	14.47	15.34	15.34	15.34	15.42	15.52	16.49	16.49	16.47	16.56	16.67	17.74	17.74	17.71	17.79	17.91	273	273	274	277	282	411	411	411	410	415	466	466	464	468	474	466	466	464	468	474					
	HI PR	127	127	128	137	148	130	130	130	139	150	134	134	133	142	153	138	138	135	145	156	142	142	142	138	148	142	142	142	142	156	142	142	142	142	156	142	142	142	142	156										
	LO PR																																																		

See Legend and Notes on Page 12.

PHR548 EXTENDED COOLING PERFORMANCE - LOW COOL		CONDENSER ENTERING AIR TEMPERATURES deg F, Dry Bulb																								
		75 (23.8°C)				85 (29.4°C)				95 (35°C)				105 (40.5°C)				115 (46.1°C)								
		57	62	63††	67	72	57	62	63††	67	72	57	62	63††	67	72	57	62	63††	67	72					
CFM	MBH†	33.27	34.14	34.56	37.33	40.83	32.91	33.49	33.88	36.59	40.03	32.31	32.60	32.92	35.55	38.91	31.43	31.48	31.64	34.17	37.44	30.20	30.25	29.96	32.36	35.50
	S/T‡	1.00	0.92	0.74	0.71	0.52	1.00	0.94	0.74	0.72	0.52	1.00	0.95	0.75	0.73	0.53	1.00	1.00	0.77	0.74	0.53	1.00	1.00	0.80	0.77	0.54
	AMPS*	9.27	9.24	9.23	9.13	9.01	9.94	9.92	9.92	9.82	9.71	10.63	10.62	10.61	10.53	10.42	11.33	11.33	11.33	11.25	11.16	12.05	12.05	12.07	12.00	11.91
	HI PR	256	256	257	259	263	296	297	297	300	304	341	342	342	345	349	390	390	391	394	398	444	444	444	444	447
	LO PR	122	125	126	134	145	126	128	128	137	148	130	131	132	140	151	135	135	135	144	155	140	141	139	148	158
1050	MBH†	34.64	35.04	35.33	38.18	41.74	34.21	34.34	34.58	37.34	40.84	33.54	33.59	33.54	36.22	39.64	32.56	32.61	32.17	34.73	38.06	31.21	31.26	30.39	32.82	36.01
	S/T‡	1.00	0.96	0.76	0.74	0.54	1.00	1.00	0.77	0.75	0.54	1.00	1.00	0.79	0.76	0.54	1.00	1.00	0.81	0.78	0.55	1.00	1.00	0.84	0.81	0.56
	AMPS*	9.42	9.41	9.40	9.30	9.17	10.09	10.08	10.08	9.98	9.87	10.77	10.77	10.78	10.69	10.58	11.47	11.46	11.49	11.41	11.31	12.18	12.18	12.22	12.14	12.06
	HI PR	257	258	258	260	264	298	298	298	301	305	343	343	343	346	350	392	392	392	395	399	446	446	444	448	452
	LO PR	127	128	129	138	148	131	131	131	141	151	135	135	134	144	154	140	140	138	147	157	145	145	141	150	161
1200	MBH†	35.51	35.63	35.78	38.66	42.26	35.04	35.10	34.98	37.79	41.32	34.31	34.37	33.90	36.60	40.06	33.27	33.32	32.48	35.06	38.41	31.84	31.88	30.64	33.08	36.28
	S/T‡	1.00	1.00	0.79	0.76	0.55	1.00	1.00	0.80	0.77	0.55	1.00	1.00	0.81	0.79	0.55	1.00	1.00	0.84	0.81	0.56	1.00	1.00	0.87	0.84	0.58
	AMPS*	9.53	9.53	9.53	9.42	9.30	10.20	10.20	10.21	10.11	10.00	10.88	10.87	10.90	10.81	10.70	11.57	11.57	11.60	11.52	11.43	12.28	12.28	12.33	12.25	12.16
	HI PR	258	258	258	261	264	299	299	299	302	306	344	344	344	347	351	393	393	392	395	399	447	447	445	448	452
	LO PR	130	131	131	140	150	134	134	133	143	153	138	138	136	145	156	143	143	139	149	159	148	148	143	152	163
1310	MBH†	36.38	36.63	36.88	39.76	43.34	36.04	36.10	35.98	38.79	42.32	35.31	35.37	34.90	37.60	41.06	34.27	34.32	33.48	36.06	39.41	32.84	32.88	31.64	34.08	37.28
	S/T‡	1.00	1.00	0.79	0.76	0.55	1.00	1.00	0.80	0.77	0.55	1.00	1.00	0.81	0.79	0.55	1.00	1.00	0.84	0.81	0.56	1.00	1.00	0.87	0.84	0.58
	AMPS*	9.53	9.53	9.53	9.42	9.30	10.20	10.20	10.21	10.11	10.00	10.88	10.87	10.90	10.81	10.70	11.57	11.57	11.60	11.52	11.43	12.28	12.28	12.33	12.25	12.16
	HI PR	258	258	258	261	264	299	299	299	302	306	344	344	344	347	351	393	393	392	395	399	447	447	445	448	452
	LO PR	130	131	131	140	150	134	134	133	143	153	138	138	136	145	156	143	143	139	149	159	148	148	143	152	163

PHR548 EXTENDED COOLING PERFORMANCE - HIGH COOL		CONDENSER ENTERING AIR TEMPERATURES deg F, Dry Bulb																								
		75 (23.8°C)				85 (29.4°C)				95 (35°C)				105 (40.5°C)				115 (46.1°C)								
		57	62	63††	67	72	57	62	63††	67	72	57	62	63††	67	72	57	62	63††	67	72					
CFM	MBH†	47.11	48.61	49.20	53.05	57.95	44.71	45.76	46.30	49.87	54.46	42.15	42.79	43.23	46.54	50.80	39.43	39.69	40.00	43.04	46.99	36.54	36.59	36.61	39.37	42.99
	S/T‡	1.00	0.89	0.72	0.69	0.51	1.00	0.91	0.73	0.71	0.52	1.00	0.94	0.75	0.72	0.53	1.00	0.97	0.77	0.75	0.54	1.00	1.00	0.80	0.78	0.56
	AMPS*	12.92	12.96	12.97	13.08	13.20	14.72	14.75	14.76	14.87	15.00	16.80	16.82	16.83	16.94	17.08	19.17	19.18	19.19	19.30	19.44	21.86	21.86	21.87	21.97	22.10
	HI PR	271	272	273	277	281	313	314	315	319	324	359	360	361	365	371	410	410	411	415	421	465	465	465	469	475
	LO PR	116	120	121	130	140	120	122	123	132	143	124	125	126	135	146	128	129	129	138	149	133	133	132	141	152
1400	MBH†	49.16	49.94	50.40	54.35	59.33	46.58	47.00	47.35	51.01	55.66	43.82	43.92	44.12	47.50	51.82	40.91	40.98	40.73	43.83	47.83	37.82	37.87	37.20	40.01	43.65
	S/T‡	1.00	0.93	0.74	0.72	0.53	1.00	0.95	0.76	0.74	0.54	1.00	1.00	0.78	0.76	0.55	1.00	1.00	0.81	0.79	0.56	1.00	1.00	0.84	0.82	0.58
	AMPS*	13.19	13.22	13.23	13.34	13.46	15.00	15.02	15.02	15.13	15.27	17.09	17.09	17.10	17.21	17.34	19.47	19.47	19.46	19.57	19.70	22.16	22.16	22.14	22.24	22.37
	HI PR	273	274	274	278	283	315	316	316	321	326	362	362	362	367	372	412	413	412	417	422	467	467	466	471	477
	LO PR	122	124	124	133	144	125	126	127	136	146	129	129	129	138	149	133	133	132	141	152	138	138	135	144	155
1600	MBH†	50.93	51.07	51.36	55.37	60.42	48.17	48.26	48.17	51.89	56.58	45.25	45.32	44.83	48.24	52.59	42.16	42.22	41.31	44.44	48.47	38.88	38.94	37.65	40.49	44.14
	S/T‡	1.00	1.00	0.77	0.75	0.54	1.00	1.00	0.79	0.77	0.55	1.00	1.00	0.82	0.79	0.56	1.00	1.00	0.85	0.82	0.58	1.00	1.00	0.88	0.86	0.60
	AMPS*	13.47	13.47	13.47	13.58	13.71	15.28	15.28	15.28	15.39	15.52	17.37	17.37	17.36	17.47	17.60	19.76	19.76	19.73	19.83	19.97	22.45	22.45	22.40	22.51	22.63
	HI PR	275	275	275	279	284	318	318	317	322	327	364	364	363	368	374	415	415	413	418	424	469	469	467	472	478
	LO PR	126	127	127	136	147	130	130	129	138	149	133	134	132	141	152	137	138	134	144	154	142	142	137	147	157

See Legend and Notes on Page 12.

PHR560 EXTENDED COOLING PERFORMANCE – LOW COOL		CONDENSER ENTERING AIR TEMPERATURES deg F, Dry Bulb																								
		75 (23.8°C)				85 (29.4°C)				95 (35°C)				105 (40.5°C)				115 (46.1°C)								
CFM		ENTERING INDOOR TEMPERATURE – deg F, Wet Bulb																								
		57	62	63††	67	72	72	72	72	72	72	72	72	72	72	72	72	72	72	72	72	72	72			
1200	MBH†	40.08	41.22	41.84	45.19	49.64	39.27	40.03	40.60	43.84	48.16	38.24	38.63	39.11	42.22	46.40	36.91	36.98	37.28	40.24	44.26	35.20	35.25	35.01	37.81	41.65
	S/T‡	1.00	0.92	0.73	0.71	0.52	1.00	0.92	0.74	0.71	0.52	1.00	0.93	0.74	0.71	0.52	1.00	1.00	0.75	0.72	0.52	1.00	1.00	0.76	0.74	0.53
	AMPS*	10.87	10.83	10.81	10.69	10.53	12.78	12.76	12.74	12.62	12.47	14.99	14.97	14.96	14.84	14.69	17.53	17.53	17.52	17.41	17.27	20.48	20.47	20.49	20.38	20.24
	HI PR	260	261	261	265	269	301	301	302	305	310	346	346	346	350	355	395	395	395	399	404	448	448	448	452	457
	LO PR	125	128	129	138	150	128	131	132	141	153	133	134	135	144	156	137	138	138	147	159	143	143	142	151	163
1400	MBH†	42.14	42.56	43.00	46.42	50.98	41.21	41.32	41.64	44.95	49.37	40.05	40.16	40.03	43.19	47.46	38.57	38.63	38.07	41.08	45.17	36.69	36.74	35.67	38.50	42.38
	S/T‡	1.00	0.96	0.77	0.74	0.54	1.00	1.00	0.77	0.75	0.54	1.00	1.00	0.78	0.76	0.54	1.00	1.00	0.79	0.77	0.54	1.00	1.00	0.81	0.79	0.55
	AMPS*	10.99	10.97	10.97	10.83	10.68	12.91	12.91	12.91	12.78	12.62	15.13	15.12	15.14	15.01	14.86	17.68	17.68	17.71	17.59	17.45	20.64	20.64	20.69	20.57	20.43
	HI PR	262	262	263	266	270	303	303	303	307	311	348	348	348	351	356	397	397	396	400	405	451	451	449	453	458
	LO PR	131	132	133	142	154	135	135	135	145	157	139	139	138	148	159	143	144	141	151	163	149	149	145	154	166
1545	MBH†	43.42	43.50	43.65	47.13	51.75	42.41	42.48	42.24	45.58	50.05	41.16	41.22	40.55	43.75	48.06	39.58	39.64	38.52	41.55	45.66	37.59	37.64	36.04	38.90	42.77
	S/T‡	1.00	1.00	0.80	0.77	0.56	1.00	1.00	0.80	0.78	0.55	1.00	1.00	0.81	0.78	0.56	1.00	1.00	0.82	0.80	0.56	1.00	1.00	0.84	0.82	0.57
	AMPS*	11.08	11.08	11.08	10.95	10.79	13.02	13.01	13.03	12.90	12.75	15.24	15.23	15.27	15.14	14.99	17.80	17.80	17.85	17.73	17.58	20.76	20.76	20.83	20.71	20.58
	HI PR	263	263	263	267	271	304	304	304	308	312	349	349	348	352	357	398	399	397	401	406	452	452	450	454	459
	LO PR	135	135	135	145	156	139	139	138	147	159	143	143	140	150	162	147	147	143	153	165	152	152	147	156	168
PHR560 EXTENDED COOLING PERFORMANCE – HIGH COOL		CONDENSER ENTERING AIR TEMPERATURES deg F, Dry Bulb																								
		75 (23.8°C)				85 (29.4°C)				95 (35°C)				105 (40.5°C)				115 (46.1°C)								
CFM		ENTERING INDOOR TEMPERATURE – deg F, Wet Bulb																								
		57	62	63††	67	72	72	72	72	72	72	72	72	72	72	72	72	72	72	72	72	72	72			
1750	MBH†	56.24	57.69	58.47	62.98	69.04	54.20	55.14	55.84	60.12	65.88	51.93	52.40	53.00	57.00	62.44	49.38	49.47	49.79	53.55	58.65	46.49	46.55	46.25	49.70	54.42
	S/T‡	1.00	0.88	0.70	0.68	0.50	1.00	0.91	0.72	0.70	0.51	1.00	0.94	0.75	0.73	0.53	1.00	1.00	0.78	0.76	0.55	1.00	1.00	0.82	0.80	0.57
	AMPS*	17.71	17.75	17.76	17.85	17.93	19.01	19.04	19.05	19.15	19.26	20.50	20.52	20.53	20.65	20.78	22.19	22.19	22.20	22.34	22.50	24.06	24.07	24.05	24.21	24.39
	HI PR	280	281	282	287	293	322	324	324	329	336	369	370	370	375	382	419	420	420	425	432	474	474	474	479	486
	LO PR	124	127	128	138	149	127	129	130	140	152	131	132	133	143	155	135	136	136	145	157	140	140	139	148	160
2000	MBH†	58.56	59.18	59.71	64.29	70.42	56.34	56.54	56.91	61.27	67.12	53.87	53.98	53.86	57.95	63.49	51.12	51.20	50.55	54.34	59.50	47.96	48.04	46.85	50.30	55.04
	S/T‡	1.00	0.91	0.73	0.71	0.51	1.00	1.00	0.76	0.73	0.53	1.00	1.00	0.79	0.77	0.55	1.00	1.00	0.82	0.80	0.57	1.00	1.00	0.87	0.85	0.59
	AMPS*	18.16	18.17	18.18	18.26	18.33	19.45	19.46	19.46	19.56	19.65	20.95	20.95	20.94	21.05	21.18	22.63	22.63	22.60	22.74	22.89	24.50	24.50	24.44	24.60	24.78
	HI PR	283	283	284	288	295	325	326	326	331	337	372	372	372	377	384	422	422	421	427	434	477	477	475	480	487
	LO PR	130	131	132	141	153	133	133	134	143	155	137	137	136	146	158	141	141	139	149	161	145	146	142	151	164
2250	MBH†	60.54	60.65	60.64	65.28	71.51	58.15	58.25	57.73	62.11	68.04	55.50	55.59	54.57	58.68	64.27	52.54	52.62	51.09	54.89	60.09	49.18	49.25	47.29	50.73	55.45
	S/T‡	1.00	1.00	0.76	0.74	0.53	1.00	1.00	0.79	0.77	0.55	1.00	1.00	0.83	0.80	0.57	1.00	1.00	0.86	0.84	0.59	1.00	1.00	0.91	0.89	0.62
	AMPS*	18.59	18.59	18.59	18.66	18.72	19.88	19.88	19.87	19.96	20.05	21.37	21.37	21.34	21.45	21.57	23.05	23.05	23.00	23.13	23.27	24.92	24.92	24.83	24.98	25.15
	HI PR	285	285	285	290	296	328	328	327	332	339	374	374	373	378	385	425	425	423	428	435	479	479	476	482	488
	LO PR	135	135	134	144	156	138	138	136	146	158	142	142	139	149	161	146	146	141	151	163	150	150	144	154	166

LEGEND

† Total capacities are net (I.D blower heat subtracted) system capacities based on 25' line set.
 If additional tubing length and/or indoor unit is located above outdoor unit, a slight variation in capacity may occur.

* System amps are total of indoor and outdoor amps

‡ S/T are based on 80 F db entering air at the indoor coil. For sensible capacities at other than 80 F db, deduct 835 Btuh per 1000 cfm of indoor coil air from MBHxS/T for each degree below 80 F, or add 835 Btuh per 1000 cfm of indoor coil air from MBHxS/T for each degree above 80 F

†† At TVA rating indoor condition (75 F db/ 63 F wb), All other indoor air temperatures are at 80 F db

PHR524 EXTENDED HEATING PERFORMANCE – LOW HEAT

CFM		OUTDOOR AMBIENT TEMPERATURE deg F, Dry Bulb																							
		-5 (-21.6°C)			0 (-17.7°C)			10 (-12.2°C)			20 (-6.7°C)			30 (-1.1°C)			40 (-4.4°C)			50 (10°C)			60 (-15.6°C)		
		65	70	75	65	70	75	65	70	75	65	70	75	65	70	75	65	70	75	65	70	75	65	70	75
525	MBH†	2.80	2.51	2.43	4.25	3.98	3.68	6.08	5.80	5.50	8.21	7.93	7.63	10.69	10.40	10.09	13.57	13.26	12.93	17.09	16.86	16.60	20.48	20.22	19.98
	T/R	7.40	6.70	2.70	11.00	10.20	9.50	14.80	14.10	13.30	18.90	18.20	17.50	23.30	22.60	21.90	28.20	27.50	26.70	33.80	33.30	32.70	38.70	38.20	37.60
	AMPS*	4.66	4.96	5.04	4.82	5.14	5.45	4.95	5.27	5.60	5.08	5.41	5.75	5.20	5.54	5.89	5.33	5.69	6.05	5.53	5.92	6.32	5.63	6.03	6.46
	HI PR	207	221	224	218	233	247	231	246	261	246	261	277	262	278	295	280	297	315	304	322	341	325	344	364
	LO PR	35	35	35	45	45	46	57	58	58	71	71	72	87	87	87	104	104	105	123	123	123	144	144	145
650	MBH†	2.91	2.63	2.98	4.39	4.14	3.84	6.25	5.99	5.69	8.44	8.18	7.88	10.98	10.70	10.40	14.01	13.63	13.31	17.40	17.20	16.97	20.90	20.54	20.37
	T/R	6.30	5.80	6.40	9.10	8.60	7.90	12.30	11.70	11.10	15.70	15.20	14.60	19.30	18.80	18.20	23.50	22.80	22.20	27.80	27.40	27.00	31.90	31.50	31.00
	AMPS*	4.71	5.03	5.42	4.83	5.16	5.48	4.92	5.25	5.59	4.99	5.33	5.68	5.06	5.41	5.76	5.14	5.48	5.85	5.23	5.61	6.01	5.26	5.64	6.05
	HI PR	204	218	237	213	228	243	224	239	255	236	252	268	249	266	283	265	282	299	283	301	321	300	319	339
	LO PR	35	35	40	45	45	46	57	57	58	71	71	72	86	87	87	103	104	104	122	123	123	143	144	144
700	MBH†	2.96	2.68	3.03	4.45	4.19	3.89	6.32	6.06	5.77	8.52	8.26	7.96	11.08	10.79	10.49	14.21	13.75	13.43	17.51	17.30	17.08	21.03	20.77	20.51
	T/R	5.90	5.30	6.00	8.60	8.10	7.50	11.50	11.00	10.50	14.70	14.20	13.70	18.10	17.60	17.10	22.10	21.40	20.80	26.00	25.60	25.20	29.80	29.40	29.00
	AMPS*	4.74	5.06	5.45	4.85	5.18	5.51	4.92	5.25	5.59	4.98	5.32	5.67	5.03	5.38	5.73	5.11	5.43	5.80	5.15	5.53	5.93	5.16	5.54	5.95
	HI PR	203	217	236	212	226	242	222	237	253	233	249	265	245	262	279	261	277	294	277	295	314	293	312	331
	LO PR	34	35	40	45	45	46	57	57	58	71	71	72	86	87	87	103	104	104	122	122	122	143	143	144

PHR524 EXTENDED HEATING PERFORMANCE – HIGH HEAT

CFM		OUTDOOR AMBIENT TEMPERATURE deg F, Dry Bulb																							
		-10 (-23.3°C)			0 (-17.7°C)			10 (-12.2°C)			20 (-6.7°C)			30 (-1.1°C)			40 (-4.4°C)			50 (10°C)			60 (-15.6°C)		
		65	70	75	65	70	75	65	70	75	65	70	75	65	70	75	65	70	75	65	70	75	65	70	75
700	MBH†	5.33	5.08	4.78	7.58	7.33	7.02	10.13	9.90	9.57	13.07	12.84	12.48	16.49	16.42	16.14	20.12	19.82	19.52	24.17	23.76	23.40	29.04	28.54	28.03
	T/R	9.50	9.10	8.50	13.00	12.60	12.00	16.70	16.30	15.70	20.80	20.40	19.80	25.40	25.20	24.70	29.90	29.40	28.90	34.80	34.10	33.50	40.50	39.70	38.90
	AMPS*	5.62	5.86	6.11	5.97	6.23	6.49	6.29	6.56	6.85	6.60	6.90	7.20	6.96	7.30	7.63	7.30	7.64	7.99	7.70	8.05	8.42	8.22	8.59	8.95
	HI PR	214	230	245	226	242	258	239	256	273	254	272	289	273	292	311	292	310	330	313	332	351	339	358	377
	LO PR	33	33	33	43	43	44	54	55	55	67	68	68	80	82	82	98	98	98	116	116	117	136	137	137
850	MBH†	5.46	5.21	4.91	7.73	7.51	7.20	10.33	10.12	9.79	13.38	13.12	12.76	16.78	16.67	16.42	20.47	20.16	19.86	24.67	24.25	23.84	29.75	29.22	28.69
	T/R	8.00	7.60	7.20	10.90	10.60	10.10	14.10	13.70	13.30	17.80	17.20	16.70	21.30	21.10	20.70	25.10	24.60	24.20	29.20	28.70	28.10	34.10	33.50	32.80
	AMPS*	5.67	5.91	6.16	5.99	6.25	6.52	6.28	6.55	6.83	6.55	6.84	7.14	6.85	7.18	7.51	7.14	7.47	7.82	7.48	7.82	8.18	7.93	8.29	8.66
	HI PR	210	226	242	220	236	253	231	248	265	244	262	279	260	278	297	276	294	313	294	312	332	316	335	355
	LO PR	33	33	33	43	43	43	54	55	55	66	67	68	80	82	82	97	98	98	115	116	116	136	136	137
900	MBH†	5.53	5.26	4.95	7.84	7.56	7.25	10.48	10.18	9.85	13.83	13.20	12.84	16.99	16.75	16.49	20.56	20.25	19.95	24.81	24.39	23.97	29.93	29.40	28.87
	T/R	7.70	7.30	6.80	10.50	10.10	9.60	13.50	13.10	12.60	17.10	16.30	15.80	20.30	20.00	19.60	23.80	23.40	23.00	27.80	27.20	26.70	32.40	31.80	31.20
	AMPS*	5.70	5.93	6.19	6.01	6.27	6.53	6.29	6.56	6.84	6.59	6.84	7.14	6.84	7.16	7.49	7.10	7.43	7.78	7.43	7.77	8.13	7.87	8.22	8.59
	HI PR	209	225	241	219	235	251	230	246	263	244	259	276	257	275	294	271	290	309	289	307	327	311	329	349
	LO PR	33	33	33	43	43	43	54	55	55	67	67	68	81	81	82	97	97	97	115	115	116	136	136	137

See Legend and Notes on Page 18.

PHR530 EXTENDED HEATING PERFORMANCE – LOW HEAT

		OUTDOOR AMBIENT TEMPERATURE deg F, Dry Bulb																							
		-2 (-18.9°C)			0 (-17.7°C)			10 (-12.2°C)			20 (-6.7°C)			30 (-1.1°C)			40 (-4.4°C)			50 (10°C)			60 (-15.6°C)		
		65	70	75	65	70	75	65	70	75	65	70	75	65	70	75	65	70	75	65	70	75	65	70	75
CFM	MBH†	3.36	4.28	3.88	5.13	4.74	4.32	7.42	7.03	6.61	10.12	9.71	9.29	13.26	12.84	12.40	16.91	16.46	15.98	21.42	21.06	20.29	25.74	25.34	24.96
	T/R	7.20	9.20	8.30	10.90	10.10	9.10	14.80	14.00	13.10	19.00	18.20	17.40	23.60	22.80	22.00	28.60	27.70	26.90	34.40	33.80	32.50	39.40	38.70	38.10
	AMPS*	6.06	6.47	6.73	6.24	6.51	6.77	6.40	6.67	6.96	6.55	6.84	7.14	6.71	7.01	7.32	6.88	7.19	7.51	7.12	7.47	7.76	7.27	7.63	8.01
	HI PR	204	227	241	216	230	244	230	244	259	245	260	276	262	278	295	282	299	316	307	326	341	330	349	369
	LO PR	34	43	43	45	45	46	57	57	58	70	71	71	86	86	87	103	103	104	121	122	123	143	143	144
750	MBH†	3.49	4.42	4.00	5.25	4.88	4.47	7.58	7.22	6.79	10.33	9.95	9.52	13.53	13.13	12.68	17.26	16.81	16.34	21.74	21.42	21.04	26.16	25.77	25.36
	T/R	6.60	8.30	7.50	9.70	9.00	8.20	13.20	12.50	11.80	17.00	16.30	15.60	21.00	20.40	19.60	25.50	24.70	24.00	30.50	30.00	29.40	35.00	34.40	33.80
	AMPS*	6.16	6.55	6.82	6.31	6.58	6.86	6.44	6.72	7.01	6.57	6.86	7.16	6.69	6.99	7.30	6.81	7.13	7.45	6.99	7.34	7.70	7.09	7.45	7.82
	HI PR	202	225	239	213	227	242	225	240	255	239	254	270	264	279	287	272	289	306	294	312	331	313	332	352
	LO PR	34	43	43	45	45	45	57	57	57	70	71	71	86	86	87	102	103	104	121	122	122	142	142	143
840	MBH†	3.58	4.53	4.11	5.37	5.00	4.59	7.74	7.36	6.94	10.52	10.13	9.71	13.76	13.35	12.92	17.55	17.08	16.62	22.01	21.69	21.33	26.51	26.10	25.70
	T/R	6.00	7.60	6.90	8.90	8.30	7.60	12.00	11.40	10.80	15.40	14.80	14.20	19.10	18.50	17.80	23.10	22.50	21.80	27.60	27.10	26.60	31.70	31.10	30.60
	AMPS*	6.25	6.64	6.91	6.38	6.67	6.95	6.50	6.78	7.08	6.60	6.90	7.20	6.70	7.00	7.31	6.80	7.11	7.44	6.93	7.28	7.63	6.99	7.34	7.71
	HI PR	201	223	238	211	225	240	222	237	252	234	250	266	248	265	281	264	281	299	284	302	321	302	320	340
	LO PR	34	43	43	45	45	45	57	57	57	70	71	71	85	86	86	102	103	103	121	121	122	142	142	143

PHR530 EXTENDED HEATING PERFORMANCE – HIGH HEAT

		OUTDOOR AMBIENT TEMPERATURE deg F, Dry Bulb																							
		-10 (-23.3°C)			0 (-17.7°C)			10 (-12.2°C)			20 (-6.7°C)			30 (-1.1°C)			40 (-4.4°C)			50 (10°C)			60 (-15.6°C)		
		65	70	75	65	70	75	65	70	75	65	70	75	65	70	75	65	70	75	65	70	75	65	70	75
CFM	MBH†	7.68	7.16	6.59	10.64	10.14	9.62	13.89	13.42	12.91	17.52	17.04	16.53	21.76	21.44	21.07	25.79	25.41	25.05	30.46	29.97	29.49	36.06	35.46	34.86
	T/R	9.80	9.10	8.30	13.30	12.70	12.00	17.10	16.50	15.80	21.30	20.60	20.00	26.00	25.60	25.10	30.40	29.90	29.40	35.40	34.70	34.10	41.30	40.50	39.70
	AMPS*	7.81	8.10	8.41	8.12	8.43	8.76	8.41	8.75	9.10	8.72	9.08	9.45	9.10	9.50	9.90	9.43	9.84	10.27	9.84	10.26	10.70	10.40	10.82	11.26
	HI PR	214	229	243	227	242	258	241	257	273	257	273	291	277	295	314	296	314	334	318	337	357	346	365	385
	LO PR	32	33	33	42	42	43	53	54	54	66	66	67	80	80	81	96	96	97	113	114	114	134	134	135
1000	MBH†	7.83	7.33	6.76	10.82	10.36	9.82	14.12	13.66	13.16	17.79	17.30	16.82	22.03	21.70	21.35	26.12	25.74	25.36	30.91	30.41	29.92	36.67	36.06	35.45
	T/R	8.70	8.10	7.50	11.90	11.30	10.70	15.20	14.70	14.10	18.90	18.30	17.80	23.00	22.70	22.20	26.90	26.50	26.00	31.40	30.80	30.30	36.70	36.00	35.30
	AMPS*	7.89	8.19	8.50	8.17	8.49	8.82	8.43	8.77	9.13	8.70	9.06	9.43	9.03	9.42	9.83	9.32	9.72	10.15	9.69	10.10	10.53	10.18	10.60	11.03
	HI PR	211	226	241	223	238	254	235	251	268	250	266	284	267	286	304	284	303	322	304	323	343	329	349	368
	LO PR	32	33	33	42	42	43	53	54	54	66	66	67	80	80	80	95	96	96	113	113	114	134	134	134
1125	MBH†	7.98	7.48	6.92	11.01	10.54	10.00	14.33	13.87	13.37	18.05	17.58	17.08	22.25	21.93	21.59	26.39	26.01	25.63	31.29	30.78	30.28	37.18	36.55	35.93
	T/R	7.90	7.40	6.80	10.70	10.20	9.70	13.70	13.30	12.80	17.00	16.60	16.00	20.70	20.30	20.00	24.20	23.80	23.40	28.20	27.70	27.20	33.10	32.50	31.80
	AMPS*	7.99	8.29	8.60	8.25	8.57	8.90	8.48	8.82	9.17	8.72	9.08	9.45	9.01	9.40	9.81	9.27	9.67	10.09	9.60	10.00	10.43	10.05	10.46	10.90
	HI PR	209	224	239	220	235	251	231	247	264	244	261	278	260	278	297	275	294	313	294	313	332	317	336	356
	LO PR	32	33	33	42	42	43	53	53	54	66	66	66	80	80	80	95	96	96	113	113	114	133	134	134

See Legend and Notes on Page 18.

PHR536 EXTENDED HEATING PERFORMANCE – LOW HEAT

CFM		OUTDOOR AMBIENT TEMPERATURE deg F, Dry Bulb																																																																																																																																																																																																																																																																																																																																																																							
		-5 (-21.6°C)						0 (-17.7°C)						10 (-12.2°C)						20 (-6.7°C)						30 (-1.1°C)						40 (-4.4°C)						50 (10°C)						60 (-15.6°C)																																																																																																																																																																																																																																																																																																																													
		65	70	75	65	70	75	65	70	75	65	70	75	65	70	75	65	70	75	65	70	75	65	70	75	65	70	75	65	70	75	65	70	75	65	70	75																																																																																																																																																																																																																																																																																																																																				
785	MBH†	4.15	4.05	0.00	6.33	5.88	5.38	9.00	8.54	8.06	12.07	11.62	11.13	15.61	15.14	14.65	19.82	19.18	18.65	24.39	24.04	23.65	29.08	28.64	28.19	6.90	6.70	-75.00	10.30	9.60	8.70	14.00	13.30	12.50	18.10	17.40	16.60	22.50	21.70	21.00	27.40	26.50	25.70	32.50	32.00	31.40	37.40	36.80	36.10	7.49	7.88	0.00	7.64	8.00	8.36	7.74	8.10	8.47	7.82	8.19	8.57	7.90	8.28	8.67	8.01	8.38	8.78	8.11	8.53	8.98	8.15	8.58	9.04	2.03	2.18	-15	2.14	2.28	2.43	2.27	2.41	2.57	2.41	2.56	2.72	2.57	2.73	2.90	2.77	2.93	3.10	2.98	3.17	3.36	3.19	3.38	3.58	3.4	3.6	-15	4.5	4.5	4.5	5.7	5.7	5.7	7.0	7.1	7.1	8.6	8.6	8.7	10.3	10.3	10.4	12.2	12.2	12.3	14.3	14.3	14.4	4.25	4.17	4.29	6.46	6.03	5.53	9.17	8.74	8.25	12.30	11.86	11.38	15.89	15.44	14.94	20.50	19.59	19.03	24.73	24.36	23.99	29.54	29.09	28.63	6.20	6.10	6.20	9.20	8.60	7.80	12.50	11.90	11.20	16.10	15.50	14.80	19.90	19.30	18.70	24.80	23.60	22.90	28.90	28.30	27.90	33.20	32.60	32.00	7.57	7.97	8.39	7.70	8.07	8.43	7.76	8.13	8.51	7.81	8.18	8.57	7.84	8.23	8.62	7.95	8.28	8.68	7.94	8.36	8.80	7.93	8.35	8.79	2.01	2.17	2.34	2.11	2.25	2.40	2.22	2.37	2.53	2.35	2.51	2.67	2.49	2.66	2.83	2.69	2.83	3.00	2.85	3.04	3.23	3.04	3.23	3.42	3.4	3.6	4.0	4.5	4.5	4.5	5.7	5.7	5.7	7.0	7.1	7.1	8.5	8.6	8.6	10.2	10.3	10.3	12.1	12.2	12.2	14.2	14.3	14.3	4.35	4.27	4.40	6.60	6.16	5.66	9.34	8.90	8.41	12.90	12.06	11.58	16.13	15.68	15.19	20.74	19.96	19.33	25.01	24.64	24.27	29.90	29.44	28.98	5.60	5.50	5.70	8.40	7.80	7.10	11.30	10.80	10.20	14.50	14.00	13.40	18.00	17.50	16.90	22.30	21.40	20.70	25.90	25.50	25.10	29.90	29.40	28.90	7.66	8.06	8.48	7.77	8.15	8.52	7.80	8.18	8.57	7.82	8.20	8.59	7.83	8.21	8.61	7.89	8.24	8.63	7.84	8.26	8.69	7.79	8.21	8.65	2.00	2.16	2.33	2.09	2.23	2.38	2.19	2.34	2.50	2.31	2.46	2.63	2.44	2.60	2.77	2.61	2.76	2.93	2.76	2.94	3.13	2.93	3.11	3.31	3.4	3.6	4.0	4.5	4.5	4.5	5.7	5.7	5.7	7.0	7.0	7.1	8.5	8.6	8.6	10.2	10.3	10.3	12.1	12.1	12.1	14.2	14.2	14.3

PHR536 EXTENDED HEATING PERFORMANCE – HIGH HEAT

CFM		OUTDOOR AMBIENT TEMPERATURE deg F, Dry Bulb																																																																																																																																																																																																																																																																																																																																																																							
		-10 (-23.3°C)						0 (-17.7°C)						10 (-12.2°C)						20 (-6.7°C)						30 (-1.1°C)						40 (-4.4°C)						50 (10°C)						60 (-15.6°C)																																																																																																																																																																																																																																																																																																																													
		65	70	75	65	70	75	65	70	75	65	70	75	65	70	75	65	70	75	65	70	75	65	70	75	65	70	75	65	70	75	65	70	75	65	70	75																																																																																																																																																																																																																																																																																																																																				
1050	MBH†	9.02	8.61	8.18	12.22	11.81	11.37	15.90	15.47	15.02	20.56	19.83	19.22	24.91	24.58	24.24	29.96	29.54	29.12	35.89	35.33	34.79	43.12	42.44	41.72	10.40	9.90	9.40	13.70	13.20	12.60	17.20	16.70	16.20	21.60	20.80	20.10	25.40	25.00	24.60	29.70	29.20	28.70	34.50	33.90	33.30	40.40	39.70	38.90	8.67	9.07	9.49	9.23	9.65	10.09	9.74	10.18	10.63	10.28	10.69	11.15	10.70	11.20	11.72	11.17	11.69	12.22	11.73	12.26	12.80	12.48	13.00	13.55	2.17	2.32	2.48	2.28	2.44	2.60	2.41	2.57	2.74	2.58	2.73	2.90	2.73	2.91	3.10	2.91	3.09	3.29	3.12	3.31	3.51	3.39	3.58	3.78	3.1	3.1	3.2	4.1	4.1	4.1	5.2	5.2	5.3	6.5	6.5	6.6	7.9	7.9	8.0	9.5	9.5	9.6	11.2	11.3	11.3	13.2	13.3	13.3	9.14	8.76	8.33	12.39	12.00	11.56	16.11	15.69	15.24	20.77	20.46	19.51	25.17	24.83	24.50	30.31	29.88	29.45	36.38	35.81	35.25	43.81	43.10	42.38	9.20	8.80	8.40	12.10	11.70	11.20	15.30	14.80	14.40	19.10	18.70	17.80	22.40	22.10	21.70	26.20	25.80	25.40	30.60	30.10	29.50	35.90	35.20	34.60	8.72	9.12	9.54	9.25	9.67	10.12	9.72	10.16	10.62	10.20	10.68	11.09	10.58	11.08	11.59	11.00	11.50	12.03	11.51	12.02	12.56	12.19	12.71	13.25	2.14	2.29	2.45	2.23	2.39	2.56	2.35	2.51	2.68	2.50	2.68	2.83	2.64	2.82	3.01	2.79	2.98	3.17	2.99	3.18	3.37	3.23	3.43	3.62	3.1	3.1	3.2	4.1	4.1	4.1	5.2	5.2	5.3	6.5	6.5	6.6	7.9	7.9	8.0	9.4	9.5	9.5	11.2	11.2	11.3	13.2	13.2	13.3	9.28	8.90	8.46	12.54	12.16	11.72	16.30	15.89	15.43	20.95	20.64	19.79	25.39	25.05	24.70	30.60	30.16	29.73	36.78	36.19	35.63	44.35	43.60	42.90	8.30	8.00	7.60	10.90	10.50	10.10	13.70	13.30	12.90	17.10	16.80	16.10	20.10	19.80	19.50	23.60	23.20	22.80	27.50	27.00	26.50	32.30	31.70	31.10	8.79	9.20	9.62	9.30	9.72	10.16	9.73	10.18	10.63	10.18	10.65	11.07	10.52	11.01	11.52	10.91	11.40	11.93	11.38	11.88	12.41	12.01	12.53	13.07	2.11	2.27	2.43	2.20	2.36	2.53	2.30	2.47	2.64	2.44	2.62	2.77	2.56	2.74	2.93	2.71	2.89	3.08	2.89	3.07	3.27	3.12	3.31	3.50	3.1	3.1	3.2	4.1	4.1	4.1	5.2	5.2	5.3	6.4	6.5	6.5	7.9	7.9	7.9	9.4	9.5	9.5	11.2	11.2	11.2	13.2	13.2	13.3

See Legend and Notes on Page 18.

PHR542 EXTENDED HEATING PERFORMANCE – LOW HEAT

CFM		OUTDOOR AMBIENT TEMPERATURE deg F, Dry Bulb																																															
		-10 (-23.3°C)						0 (-17.7°C)						10 (-12.2°C)						20 (-6.7°C)						30 (-1.1°C)						40 (-4.4°C)						50 (10°C)						60 (-15.6°C)					
		65	70	75	65	70	75	65	70	75	65	70	75	65	70	75	65	70	75	65	70	75	65	70	75	65	70	75	65	70	75	65	70	75	65	70	75												
915	MBH†	6.31	5.92	5.50	9.04	8.66	8.23	12.13	11.79	11.35	15.70	15.35	14.93	20.29	19.49	19.01	24.62	24.31	23.97	29.49	29.09	28.67	35.11	34.59	34.06																								
	T/R	9.00	8.40	7.80	12.40	11.90	11.20	16.10	15.60	15.00	20.10	19.60	19.00	25.20	24.10	23.50	29.60	29.20	28.70	34.40	33.90	33.30	39.80	39.10	38.40																								
	AMPS*	8.11	8.43	8.77	8.34	8.70	9.06	8.61	8.99	9.38	8.92	9.32	9.74	9.33	9.69	10.13	9.65	10.12	10.61	9.97	10.45	10.96	10.32	10.80	11.31																								
	HI PR	206	221	236	218	233	249	231	247	263	246	263	280	266	281	299	285	303	323	306	325	344	330	349	369																								
	LO PR	34	35	35	45	45	45	57	57	57	70	71	71	85	86	86	102	102	103	103	121	122	122	142	142	143																							
1050	MBH†	6.44	6.06	5.64	9.18	8.83	8.42	12.35	11.99	11.58	15.98	15.61	15.19	20.62	19.90	19.35	24.92	24.61	24.28	29.90	29.49	29.08	35.67	35.14	34.61																								
	T/R	8.00	7.50	7.00	11.00	10.50	10.00	14.30	13.80	13.30	17.80	17.40	16.90	22.30	21.50	20.80	26.10	25.70	25.30	30.40	29.90	29.40	35.20	34.60	34.00																								
	AMPS*	8.22	8.54	8.89	8.42	8.78	9.14	8.66	9.04	9.43	8.93	9.32	9.74	9.29	9.65	10.09	9.54	10.00	10.49	9.81	10.27	10.77	10.09	10.57	11.07																								
	HI PR	204	219	234	215	230	246	226	242	259	240	256	274	258	273	290	274	292	311	292	311	330	314	333	353																								
	LO PR	34	35	35	45	45	45	57	57	57	70	71	71	85	86	86	102	102	103	103	121	121	122	141	142	142																							
1180	MBH†	6.56	6.18	5.78	9.34	8.98	8.57	12.53	12.16	11.77	16.19	15.82	15.42	20.83	20.46	19.63	25.18	24.86	24.54	30.24	29.82	29.40	36.11	35.58	35.05																								
	T/R	7.20	6.80	6.30	9.90	9.50	9.10	12.90	12.50	12.00	16.10	15.70	15.20	20.00	19.60	18.80	23.50	23.10	22.80	27.40	26.90	26.50	31.70	31.20	30.60																								
	AMPS*	8.33	8.66	9.01	8.51	8.87	9.24	8.73	9.10	9.50	8.97	9.36	9.78	9.28	9.70	10.08	9.51	9.95	10.43	9.74	10.19	10.67	9.97	10.43	10.92																								
	HI PR	203	218	233	212	228	244	223	239	255	235	252	269	251	268	284	265	284	303	282	301	320	302	321	341																								
	LO PR	34	35	35	45	45	45	57	57	57	70	70	71	85	85	86	102	102	103	103	120	121	121	141	141	142																							

PHR542 EXTENDED HEATING PERFORMANCE – HIGH HEAT

CFM		OUTDOOR AMBIENT TEMPERATURE deg F, Dry Bulb																																															
		-10 (-23.3°C)						0 (-17.7°C)						10 (-12.2°C)						20 (-6.7°C)						30 (-1.1°C)						40 (-4.4°C)						50 (10°C)						60 (-15.6°C)					
		65	70	75	65	70	75	65	70	75	65	70	75	65	70	75	65	70	75	65	70	75	65	70	75	65	70	75	65	70	75	65	70	75	65	70	75												
1225	MBH†	12.38	12.00	11.58	16.20	15.81	15.39	20.94	20.66	19.77	25.45	25.14	24.82	30.72	30.32	29.92	36.92	36.37	35.85	44.40	43.69	43.00	53.33	52.49	51.60																								
	T/R	12.50	12.00	11.60	15.80	15.30	14.90	19.70	19.40	18.50	23.20	22.90	22.50	27.20	26.80	26.40	31.70	31.20	30.70	37.10	36.40	35.70	43.30	42.50	41.70																								
	AMPS*	10.62	11.08	11.57	11.21	11.68	12.19	11.87	12.37	12.83	12.44	12.97	13.54	13.06	13.62	14.21	13.79	14.37	14.98	14.70	15.30	15.95	15.90	16.55	17.23																								
	HI PR	221	237	254	234	250	267	249	267	282	264	282	301	281	299	318	301	320	339	327	346	365	360	380	400																								
	LO PR	32	32	32	42	42	42	53	53	53	65	66	66	79	80	80	95	95	96	113	113	114	134	134	135																								
1400	MBH†	12.54	12.18	11.76	16.40	16.02	15.61	21.12	20.87	20.08	25.69	25.38	25.07	31.04	30.63	30.23	37.35	36.81	36.26	44.96	44.28	43.56	53.96	53.14	52.28																								
	T/R	11.00	10.70	10.30	14.00	13.60	13.20	17.40	17.20	16.50	20.50	20.20	19.90	24.00	23.70	23.30	28.10	27.60	27.10	32.80	32.30	31.70	38.30	37.70	37.00																								
	AMPS*	10.68	11.15	11.64	11.24	11.71	12.22	11.85	12.36	12.82	12.38	12.90	13.46	12.96	13.50	14.08	13.63	14.20	14.79	14.50	15.09	15.71	15.62	16.33	16.98																								
	HI PR	218	234	250	229	245	262	243	261	276	256	274	293	271	289	309	290	308	328	314	333	352	346	367	387																								
	LO PR	32	32	32	42	42	42	52	53	53	65	65	66	79	80	80	95	95	96	113	113	114	133	134	134																								
1575	MBH†	12.70	12.34	11.93	16.57	16.21	15.80	21.30	21.05	20.39	25.90	25.59	25.27	31.32	30.91	30.49	37.71	37.16	36.61	45.36	44.67	43.98	53.92	53.30	52.60																								
	T/R	9.90	9.60	9.30	12.50	12.20	11.90	15.60	15.40	14.90	18.40	18.10	17.90	21.60	21.20	20.90	25.20	24.80	24.40	29.50	28.90	28.40	34.00	33.60	33.10																								
	AMPS*	10.77	11.23	11.73	11.30	11.77	12.28	11.88	12.38	12.86	12.38	12.90	13.45	12.92	13.46	14.03	13.57	14.13	14.71	14.45	15.02	15.62	15.57	16.18	16.83																								
	HI PR	215	231	248	225	242	259	238	255	272	250	268	286	264	282	301	282	300	319	307	325	344	338	357	377																								
	LO PR	32	32	32	41	42	42	52	53	53	65	65	66	79	79	80	95	95	95	113	113	113	132	133	134																								

See Legend and Notes on Page 18.

PHR548 EXTENDED HEATING PERFORMANCE – LOW HEAT

CFM		OUTDOOR AMBIENT TEMPERATURE deg F, Dry Bulb																							
		-8 (-22.2°C)			0 (-17.7°C)			10 (-12.2°C)			20 (-6.7°C)			30 (-1.1°C)			40 (-4.4°C)			50 (10°C)			60 (-15.6°C)		
		65	70	75	65	70	75	65	70	75	65	70	75	65	70	75	65	70	75	65	70	75	65	70	75
1050	MBH†	7.73	7.14	7.13	11.11	10.58	9.98	14.97	14.45	13.89	19.32	18.80	18.25	24.76	23.87	23.17	29.74	29.36	28.97	35.43	34.95	34.46	41.98	41.35	40.76
	T/R	8.40	7.70	7.70	11.80	11.20	10.50	15.50	14.90	14.30	19.40	18.90	18.30	24.30	23.30	22.60	28.40	28.00	27.60	33.10	32.60	32.00	38.30	37.60	37.00
	AMPS*	8.64	9.05	9.52	9.04	9.48	9.92	9.47	9.94	10.41	9.92	10.40	10.90	10.45	10.91	11.42	10.86	11.43	12.03	11.30	11.90	12.53	11.82	12.44	13.09
	HI PR	205	219	236	216	231	246	229	244	260	243	259	276	262	277	294	278	296	315	297	316	335	320	339	359
	LO PR	33	33	36	43	43	44	55	55	55	68	68	68	82	83	83	98	99	99	117	117	117	136	137	138
1200	MBH†	7.91	7.36	7.34	11.33	10.82	10.23	15.24	14.75	14.18	19.64	19.14	18.59	25.09	24.71	23.59	30.12	29.73	29.34	35.92	35.44	34.94	42.67	42.01	41.38
	T/R	7.50	7.00	6.90	10.50	10.00	9.40	13.80	13.30	12.70	17.30	16.80	16.30	21.50	21.20	20.10	25.20	24.80	24.40	29.30	28.90	28.40	34.00	33.40	32.90
	AMPS*	8.78	9.20	9.67	9.14	9.59	10.04	9.54	10.02	10.49	9.94	10.43	10.94	10.41	10.95	11.40	10.76	11.32	11.92	11.13	11.72	12.34	11.57	12.18	12.82
	HI PR	203	218	235	213	228	244	224	240	256	237	253	270	253	271	286	268	286	305	285	303	323	305	324	343
	LO PR	33	33	36	43	43	44	55	55	55	68	68	68	82	82	82	98	99	99	116	117	117	136	137	137
1310	MBH†	8.06	7.50	7.49	11.50	10.99	10.39	15.42	14.94	14.37	19.86	19.37	18.82	25.30	24.94	23.90	30.37	29.99	29.58	36.23	35.74	35.25	43.10	42.43	41.77
	T/R	7.00	6.50	6.50	9.80	9.30	8.80	12.80	12.30	11.80	16.00	15.60	15.10	19.90	19.60	18.70	23.30	22.90	22.60	27.10	26.70	26.20	31.50	30.90	30.40
	AMPS*	8.89	9.32	9.79	9.24	9.69	10.14	9.61	10.09	10.57	9.99	10.48	10.99	10.42	10.95	11.42	10.73	11.30	11.89	11.07	11.66	12.27	11.47	12.07	12.70
	HI PR	202	217	234	211	226	242	222	237	254	233	250	267	248	266	282	262	280	298	277	296	315	297	315	335
	LO PR	33	33	36	43	43	44	55	55	55	68	68	68	82	82	82	98	99	99	116	116	116	136	136	137

PHR548 EXTENDED HEATING PERFORMANCE – HIGH HEAT

CFM		OUTDOOR AMBIENT TEMPERATURE deg F, Dry Bulb																							
		-10 (-23.3°C)			0 (-17.7°C)			10 (-12.2°C)			20 (-6.7°C)			30 (-1.1°C)			40 (-4.4°C)			50 (10°C)			60 (-15.6°C)		
		65	70	75	65	70	75	65	70	75	65	70	75	65	70	75	65	70	75	65	70	75	65	70	75
1400	MBH†	14.53	14.00	13.37	19.50	18.97	18.38	25.15	24.76	23.58	30.02	29.67	29.28	35.53	35.05	34.59	41.86	41.24	40.64	49.38	48.65	47.91	57.39	56.80	56.18
	T/R	10.50	10.10	9.60	14.10	13.70	13.20	18.10	17.70	16.90	21.50	21.20	20.80	25.30	24.90	24.50	29.60	29.10	28.60	34.80	34.20	33.60	40.20	39.70	39.20
	AMPS*	11.09	11.54	12.02	11.71	12.21	12.74	12.46	13.03	13.53	13.16	13.78	14.43	13.96	14.61	15.30	14.89	15.58	16.30	16.03	16.75	17.51	17.24	18.02	18.84
	HI PR	214	230	246	227	243	260	242	259	275	255	273	292	270	289	308	289	307	327	312	331	351	338	358	379
	LO PR	30	30	31	39	39	40	49	50	50	61	61	62	75	75	75	90	90	90	107	107	108	124	125	126
1600	MBH†	14.79	14.26	13.63	19.77	19.26	18.68	25.42	25.08	23.94	30.34	29.97	29.61	35.92	35.46	34.97	42.35	41.74	41.13	49.83	49.26	48.49	56.49	56.11	55.71
	T/R	9.40	9.00	8.60	12.50	12.10	11.70	16.00	15.70	15.00	19.00	18.70	18.40	22.40	22.00	21.70	26.20	25.80	25.40	30.70	30.30	29.70	34.60	34.30	34.00
	AMPS*	11.22	11.68	12.16	11.80	12.30	12.83	12.50	13.06	13.57	13.15	13.76	14.40	13.89	14.54	15.21	14.77	15.44	16.14	15.76	16.50	17.31	16.94	17.71	18.51
	HI PR	211	227	243	223	239	256	236	254	269	248	266	284	262	280	299	279	297	316	299	318	339	324	344	364
	LO PR	30	30	31	39	39	39	49	49	50	61	61	62	74	75	75	89	90	90	106	107	107	121	122	124
1800	MBH†	15.01	14.49	13.87	20.02	19.53	18.95	25.66	25.33	24.26	30.62	30.26	29.88	36.26	35.80	35.31	42.74	42.14	41.53	49.29	49.00	48.62	55.21	55.02	54.73
	T/R	8.50	8.20	7.80	11.20	10.90	10.60	14.30	14.10	13.50	17.00	16.80	16.50	20.10	19.80	19.40	23.50	23.10	22.80	27.00	26.80	26.50	30.10	29.90	29.70
	AMPS*	11.37	11.83	12.31	11.92	12.42	12.95	12.57	13.14	13.65	13.19	13.80	14.43	13.91	14.54	15.21	14.76	15.42	16.11	15.69	16.40	17.14	16.83	17.59	18.38
	HI PR	209	225	241	219	236	253	232	249	265	242	260	279	255	273	292	272	290	308	290	309	328	314	334	354
	LO PR	30	30	31	39	39	39	49	49	49	61	61	62	74	75	75	89	90	90	104	105	106	117	119	121

See Legend and Notes on Page 18.

PHR560 EXTENDED HEATING PERFORMANCE – LOW HEAT

CFM		OUTDOOR AMBIENT TEMPERATURE deg F, Dry Bulb																							
		-10 (-23.3°C)			0 (-17.7°C)			10 (-12.2°C)			20 (-6.7°C)			30 (-1.1°C)			40 (-4.4°C)			50 (10°C)			60 (-15.6°C)		
		65	70	75	65	70	75	65	70	75	65	70	75	65	70	75	65	70	75	65	70	75	65	70	75
1200	MBH†	9.60	8.87	8.07	13.75	13.07	12.34	18.28	17.65	16.96	23.27	22.63	21.96	29.47	28.19	27.47	34.90	34.46	34.00	40.90	40.36	39.82	47.80	47.09	46.37
	T/R	8.50	7.80	7.10	12.00	11.40	10.70	15.80	15.20	14.60	19.90	19.30	18.70	25.00	23.90	23.20	29.30	28.90	28.40	34.10	33.50	33.00	39.40	38.80	38.10
	AMPS*	11.58	12.17	12.75	11.92	12.52	13.13	12.23	12.86	13.50	12.54	13.18	13.84	12.99	13.52	14.21	13.23	13.97	14.74	13.52	14.27	15.05	13.89	14.66	15.45
	HI PR	207	221	236	219	234	249	233	249	265	249	265	282	270	284	301	288	307	326	309	328	348	335	354	374
	LO PR	34	35	35	45	45	45	56	57	57	69	70	70	84	85	85	101	101	102	119	119	120	139	140	140
1400	MBH†	9.81	9.07	8.29	14.02	13.34	12.59	18.61	17.97	17.28	23.65	23.03	22.36	29.87	28.69	27.95	35.33	34.88	34.45	41.47	40.92	40.38	48.64	47.90	47.15
	T/R	7.40	6.80	6.20	10.50	10.00	9.40	13.80	13.30	12.70	17.40	16.90	16.30	21.70	20.80	20.20	25.40	25.10	24.70	29.60	29.10	28.70	34.40	33.80	33.20
	AMPS*	11.71	12.30	12.91	11.99	12.61	13.22	12.23	12.87	13.52	12.46	13.12	13.79	12.83	13.37	14.05	12.98	13.70	14.47	13.16	13.90	14.68	13.42	14.18	14.97
	HI PR	205	219	234	216	231	246	228	243	260	241	258	275	260	274	292	276	294	314	295	313	333	317	336	356
	LO PR	34	35	35	45	45	45	56	57	57	69	70	70	84	84	85	100	101	101	118	119	120	139	139	140
1545	MBH†	9.97	9.23	8.45	14.20	13.52	12.78	18.83	18.18	17.50	23.92	23.29	22.62	30.11	29.10	28.27	35.61	35.15	34.71	41.82	41.27	40.72	49.14	48.38	47.63
	T/R	6.80	6.30	5.80	9.60	9.10	8.60	12.60	12.20	11.70	15.90	15.50	15.00	19.80	19.10	18.50	23.20	22.90	22.60	27.00	26.60	26.20	31.50	30.90	30.40
	AMPS*	11.82	12.42	13.03	12.06	12.69	13.31	12.27	12.91	13.57	12.47	13.12	13.79	12.77	13.34	14.01	12.87	13.58	14.34	13.01	13.73	14.50	13.21	13.95	14.73
	HI PR	204	218	233	214	229	244	225	240	257	237	254	271	254	269	286	269	288	307	287	305	325	307	326	346
	LO PR	34	35	35	44	45	45	56	56	57	69	70	70	84	84	85	100	101	101	118	119	120	139	139	140

PHR560 EXTENDED HEATING PERFORMANCE – HIGH HEAT

CFM		OUTDOOR AMBIENT TEMPERATURE deg F, Dry Bulb																							
		-10 (-23.3°C)			0 (-17.7°C)			10 (-12.2°C)			20 (-6.7°C)			30 (-1.1°C)			40 (-4.4°C)			50 (10°C)			60 (-15.6°C)		
		65	70	75	65	70	75	65	70	75	65	70	75	65	70	75	65	70	75	65	70	75	65	70	75
1750	MBH†	17.80	17.37	16.92	23.12	22.62	22.13	29.49	29.17	28.05	35.51	35.11	34.74	42.61	42.05	41.51	50.89	50.17	49.47	60.88	59.99	59.13	72.89	71.93	70.88
	T/R	11.60	11.30	11.00	14.70	14.30	14.00	18.20	18.00	17.30	21.40	21.10	20.80	25.10	24.70	24.30	29.20	28.70	28.30	34.10	33.60	33.00	39.90	39.30	38.70
	AMPS*	13.44	14.05	14.68	14.11	14.72	15.37	15.02	15.68	16.23	15.91	16.59	17.32	16.94	17.65	18.40	18.13	18.87	19.66	19.55	20.34	21.19	21.26	22.23	23.15
	HI PR	220	237	253	232	249	266	248	266	281	262	280	299	279	297	316	299	318	337	324	343	364	357	378	398
	LO PR	32	32	32	41	41	42	52	52	52	64	64	65	78	78	79	94	94	94	111	112	112	131	132	132
2000	MBH†	18.09	17.67	17.23	23.46	22.97	22.48	29.85	29.52	28.55	35.90	35.49	35.11	43.12	42.55	41.99	51.52	50.79	50.07	61.59	60.73	59.86	73.28	72.49	71.62
	T/R	10.30	10.10	9.80	13.00	12.70	12.40	16.10	15.90	15.40	18.90	18.70	18.40	22.20	21.90	21.50	25.90	25.50	25.00	30.20	29.70	29.20	35.10	34.70	34.20
	AMPS*	13.65	14.27	14.91	14.29	14.91	15.55	15.16	15.82	16.38	16.01	16.69	17.40	17.00	17.70	18.44	18.14	18.88	19.64	19.52	20.30	21.12	21.14	22.02	22.95
	HI PR	217	233	250	228	245	262	243	260	276	255	273	292	271	289	308	289	308	327	313	332	352	345	365	385
	LO PR	31	32	32	41	41	41	52	52	52	64	64	65	78	78	79	93	94	94	111	111	112	130	131	132
2250	MBH†	18.38	17.95	17.51	23.78	23.30	22.80	30.14	29.84	29.46	36.27	35.85	35.45	43.57	42.99	42.42	52.05	51.31	50.58	62.16	61.29	60.44	73.30	72.59	71.82
	T/R	9.30	9.10	8.80	11.70	11.50	11.20	14.50	14.30	14.10	17.00	16.80	16.50	19.90	19.60	19.30	23.20	22.90	22.50	27.10	26.70	26.20	31.20	30.90	30.50
	AMPS*	13.89	14.52	15.15	14.50	15.13	15.77	15.35	16.01	16.68	16.17	16.85	17.56	17.14	17.84	18.56	18.28	18.99	19.74	19.67	20.42	21.22	21.25	22.09	22.99
	HI PR	215	231	248	225	241	259	238	256	274	250	268	286	265	282	301	282	301	320	307	325	345	338	357	377
	LO PR	31	32	32	41	41	41	51	52	52	64	64	64	78	78	78	93	94	94	111	111	112	129	130	131

LEGEND

- † Total capacities are net (I.D blower heat added) system capacities based on 25' line set.
- ‡ If additional tubing length and/or indoor unit is located above outdoor unit, a slight variation in capacity may occur.
- * System amps are total of indoor and outdoor amps
- T/R – Temp Rise is based on 25' line set.
- ‡ If additional tubing length and/or indoor unit is located above outdoor unit, a slight variation in Temp Rise may occur.

UNIT DIMENSIONS - PHR524-30

UNIT	ELECTRICAL CHARACTERISTICS	UNIT WT.		UNIT HEIGHT IN/MM		CENTER OF GRAVITY IN/MM					
		LB	KG	X"	Y"	X	Y	Z			
PHR524000K**0A1	208/230-1	348	157.9	44-1/8	1121	20-1/2	520.7	15-3/4	400.1	16-5/8	422.3
PHR530000K.R.H1**0A1	208/230-1, 208/230-3-60	356	161.5	46-1/8	1172	20-1/2	520.7	15-3/4	400.1	17-3/8	441.3

UNIT	VOLTAGE	CORNER WEIGHT LBS/KG		
		"1"	"2"	"3"
PHR524000K**0A1	208/230	41.8	23.7	55.7
PHR530000K.R.H1**0A1	208/230	42.7	24.2	57.0

NOTE: ALL TABLE DATA RELEVANT FOR ALL FACTORY INSTALLED OPTIONS EXCEPT ECONOMIZER

REQUIRED CLEARANCES TO COMBUSTIBLE MATL

	INCHES (MM)
TOP OF UNIT.....	14 (355.6)
DUCT SIDE OF UNIT.....	2 (50.8)
SIDE OPPOSITE DUCTS.....	14 (355.6)
DUCT OPPOSITE DUCTS.....	0 (0)
ELECTRICAL PANEL.....	36 (914.4)

NEC REQUIRED CLEARANCES

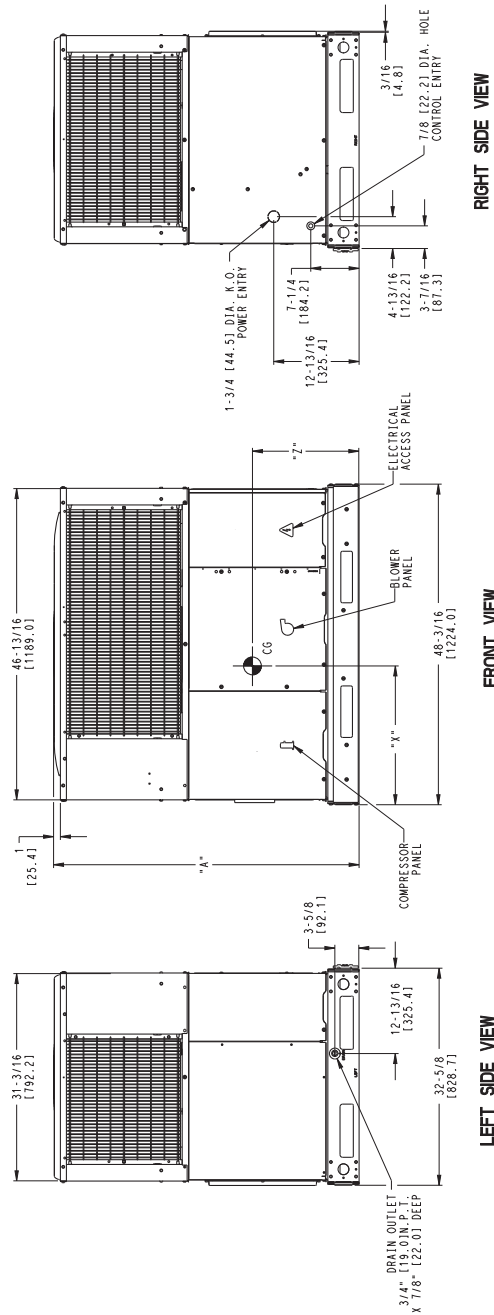
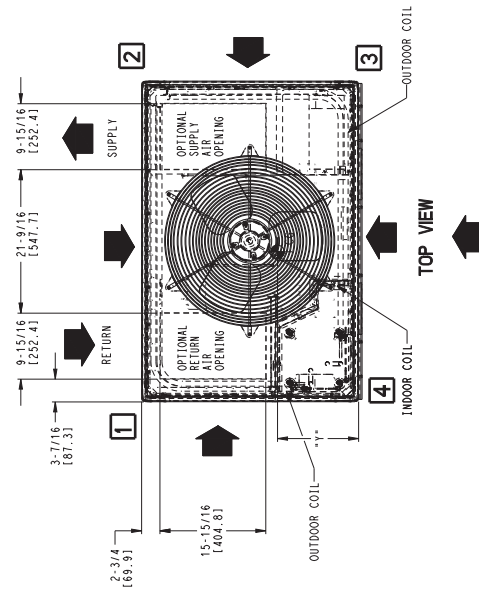
	INCHES (MM)
BETWEEN UNITS, POWER ENTRY SIDE.....	36 (914.4)
UNIT AND UNGROUNDED SURFACES, POWER ENTRY SIDE.....	36 (914.0)
UNIT AND BLOCK OR CONCRETE WALLS AND OTHER GROUNDED SURFACES, POWER ENTRY SIDE.....	42 (1066.8)

REQUIRED CLEARANCE FOR OPERATION AND SERVICING

	INCHES (MM)
EVAP. COIL ACCESS SIDE.....	36 (914.0)
POWER ENTRY SIDE.....	42 (1066.8)
MINIMUM CLEARANCE FOR NEC REQUIREMENTS.....	48 (1219.2)
UNIT TOP.....	36 (914.0)
SIDE OPPOSITE DUCTS.....	12 (304.8)*

*MINIMUM DISTANCES IF UNIT IS PLACED LESS THAN 12 (304.8) FROM WALL SYSTEM, THEN SYSTEM PERFORMANCE MAY BE COMPROMISED.

DIMENSIONS IN () ARE IN MILLIMETERS



UNIT DIMENSIONS - PHR536-60

UNIT	ELECTRICAL CHARACTERISTICS	UNIT WT.		UNIT HEIGHT IN/MM		CENTER OF GRAVITY IN/MM					
		LB.	KG.	"A"	"B"	X	Y	Z	7		
PHR536000(K, H)***0A1	208/230-1, 208/230-3-60	413	187.3	44-3/4	1137	20-1/4	514.4	117-1/2	444.5	17-5/8	447.7
PHR542000(K, H)***0A1	208/230-1, 208/230-3-60	444	201.4	50-3/4	1289	20-1/4	514.4	117-1/2	444.5	17-5/8	447.7
PHR548000(K, H)***0A1	208/230-1, 208/230-3-60	447	202.8	48-3/4	1238	20-1/4	514.4	117-1/2	444.5	17-5/8	447.7
PHR560000(K, H)***0A1	208/230-1, 208/230-3-60	503	228.2	54-3/4	1391	20-1/4	514.4	117-1/2	444.5	18	457.2

UNIT	VOLTAGE	CORNER WEIGHTS LB/KG			
		"1"	"2"	"3"	"4"
PHR536000(K, H)***0A1	208/230	49.6	28.1	66.1	56.2
PHR542000(K, H)***0A1	208/230	53.6	30.4	71.0	60.4
PHR548000(K, H)***0A1	208/230	53.6	30.4	71.0	60.4
PHR560000(K, H)***0A1	208/230	60.4	34.2	80.5	68.4

NOTE: ALL TABLE DATA RELEVANT FOR ALL FACTORY INSTALLED OPTIONS EXCEPT ECONOMIZER

REQUIRED CLEARANCES TO COMBUSTIBLE MATL.

	INCHES (MM)
TOP OF UNIT.....	14 (355.6)
DUCT SIDE OF UNIT.....	2 (50.8)
SIDE OPPOSITE DUCTS.....	14 (355.6)
DUCT SIDE OPPOSITE ELECTRICAL PANEL.....	36 (914.4)

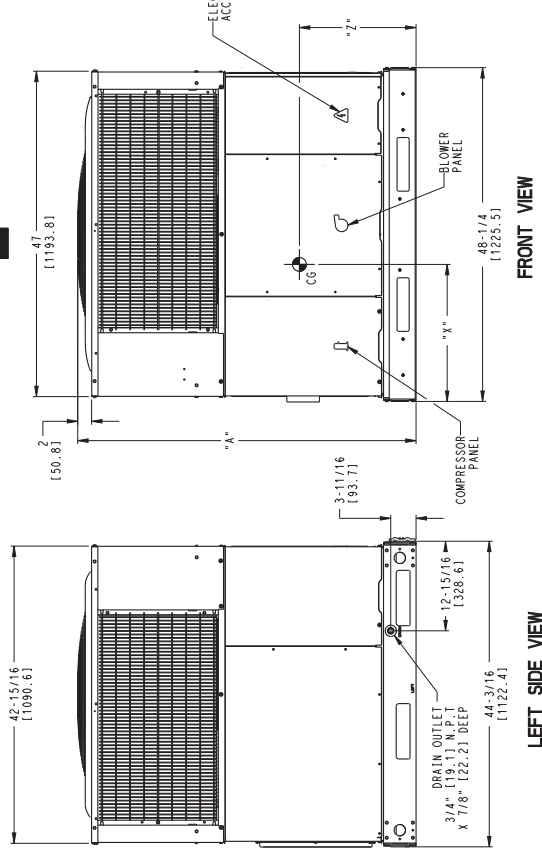
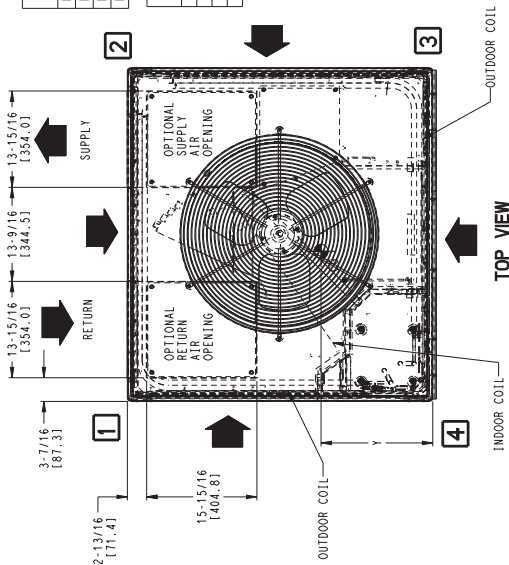
NEC. REQUIRED CLEARANCES

	INCHES (MM)
BETWEEN UNITS, POWER ENTRY SIDE.....	42 (1066.8)
UNITS AND UNGROUND SURFACES, POWER ENTRY SIDE.....	36 (914.4)
UNIT AND BLOCK OR CONCRETE WALLS AND OTHER GROUNDED SURFACES, POWER ENTRY SIDE.....	42 (1066.8)

REQUIRED CLEARANCE FOR OPERATION AND SERVICING

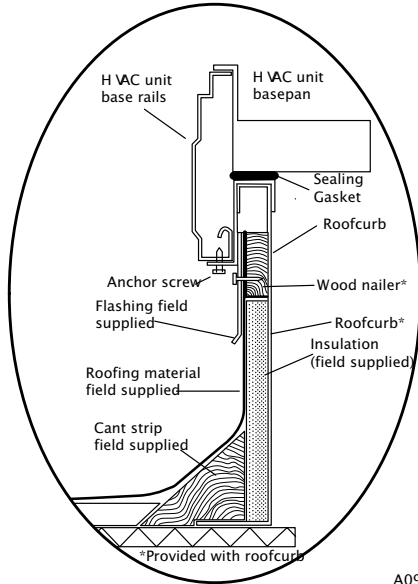
	INCHES (MM)
EVAP. COIL ACCESS SIDE.....	36 (914.4)
POWER ENTRY SIDE.....	42 (1066.8)
(EXCEPT FOR NEC REQUIREMENTS)	
UNIT TOP OPPOSITE DUCTS.....	48 (1219.2)
SIDE OPPOSITE DUCTS.....	36 (914.4)
DUCT PANEL.....	12 (304.8)

*MINIMUM DISTANCES: IF UNIT IS PLACED LESS THAN 12 (304.8) FROM WALL SYSTEM, THEN SYSTEM PERFORMANCE MAYBE COMPROMISED. DIMENSIONS IN () ARE IN MM



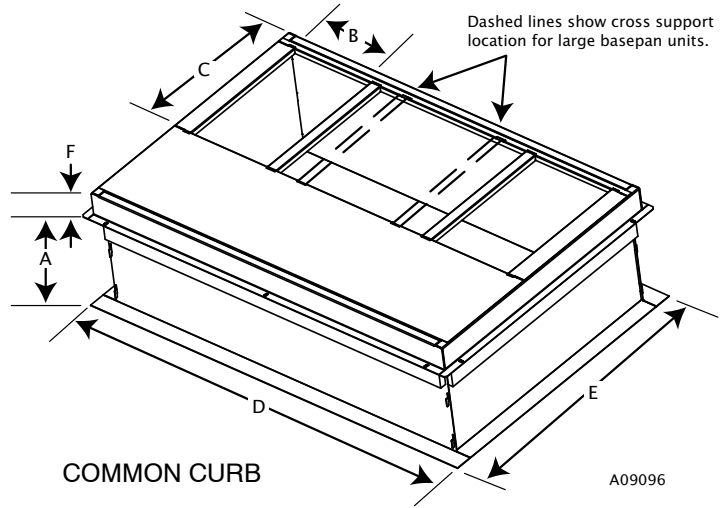
ACCESSORIES

ROOF CURBS



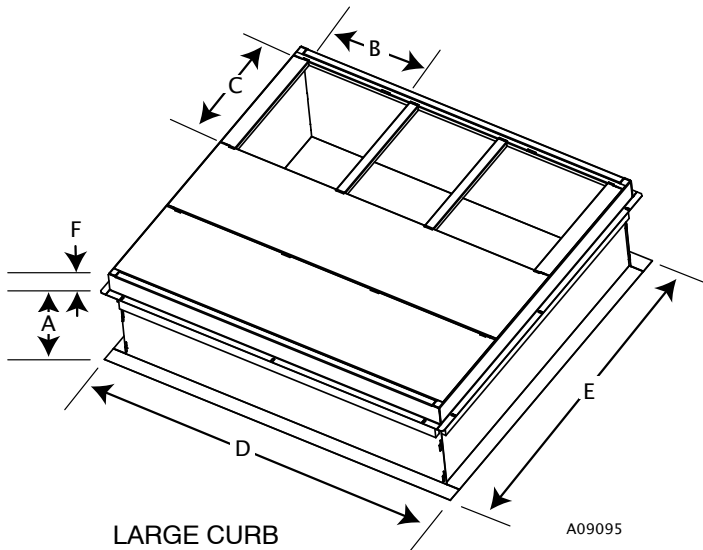
A09090

ROOF CURB DETAIL



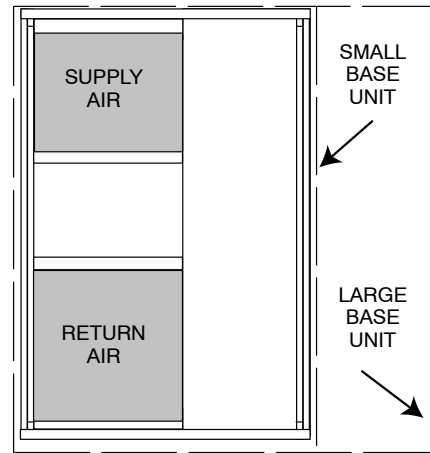
A09096

COMMON CURB



A09095

LARGE CURB



UNIT PLACEMENT ON COMMON CURB

A09094

SMALL OR LARGE BASE UNIT

UNIT SIZE	CATALOG NUMBER	A IN. (mm)	B (small base) IN. (mm)*	B (large base) IN. (mm)*	C IN. (mm)	D IN. (mm)	E IN. (mm)	F IN. (mm)
Small or Large	CPRFCURB010A00	11 (279)	10 (254)	14 (356)	16 (406)	47.8 (1214)	32.4 (822)	2.7 (69)
	CPRFCURB011A00	14 (356)						
Large	CPRFCURB012A00	11 (279)	14 (356)	14 (356)	16 (406)	47.8 (1214)	43.9 (1116)	2.7 (69)
	CPRFCURB013A00	14 (356)	14 (356)				43.9 (1116)	

* Part Numbers CPRFCURB010A00 and CPRFCURB011A00 can be used on both small and large basepan units. The cross supports must be located based on whether the unit is a small basepan or a large basepan.

NOTES:

1. Roof curb must be set up for unit being installed.
2. Seal strip must be applied, as required, to unit being installed.
3. Roof curb is made of 16-gauge steel.
4. Attach ductwork to curb (flanges of duct rest on curb).
5. Insulated panels: 1-in. (25.4 mm) thick fiberglass 1 lb. density.

PHR5 ACCESSORIES

Accessory Model Number	Description	Use With
CURBS		
CPRFCURB010A00	Roof Curb, 11" High	24 – 60
CPRFCURB011A00	Roof Curb, 14" High	ALL
CPRFCURB012A00	Roof Curb, 11" High	36 – 60
CPRFCURB013A00	Roof Curb, 14" High	36 – 60
Note: CPRFCURB010A00 AND CPRFCURB011A00 can be used with 36-60 size units with some overhang.		
ADAPTER CURBS*		
CPADCURB001A00	Adapter curb for use with NPRFCURB006A00 & NPRFCURB007A00	24 – 30
CPADCURB002A00	Adapter curb for use with NPRFCURB008A00 & NPRFCURB009A00	36 – 60

* Can also be used when replacing other manufacturer's older generation units that contain a composite base without a metal base rail.

PHR5 ACCESSORIES (Continued)

Accessory Model Number	Description	Use With						
CONCENTRIC ADAPTERS – (Use with curb only)								
NPCONADP001A00	For 18" round duct (use with curbs CPRFCURB010A00, CPRFCURB011A00)	Small Curb						
NPCONADP002A00	For 18" round duct (use with curbs CPRFCURB012A00, CPRFCURB013A00)	Large Curb						
DAMPERS								
CPMANDPR007A00	Manual Outside Air Damper – (Includes filter rack and 1" filter, same as CPFILTRK kit)	24 – 30						
CPMANDPR008A00		36 – 42						
CPMANDPR009A00		48 – 60						
ECONOMIZER								
ECD-SDSML-JC2-ADB*	Vertical economizer with Jade Honeywell W7220 controller, Honeywell communicating actuator, and dry bulb sensor. (Contact MicroMetl Customer Service at 1-800-662-4822 to order)	24 – 30						
ECD-SDLGS-JC2-ADB*		36 – 42						
ECD-SDLGB-JC2-ADB*		48 – 60						
ECH-SDSML-JC2-ADB*	Horizontal economizer with Jade Honeywell W7220 controller, Honeywell communicating actuator, and dry bulb sensor. (Contact MicroMetl Customer Service at 1-800-662-4822 to order)	24 – 30						
ECH-SDLGS-JC2-ADB*		36 – 42						
ECH-SDLGB-JC2-ADB*		48 – 60						
* Contact MicroMetl Customer Service at 1-800-662-4822 to order.								
INTERNAL FILTER RACKS								
CPFILTRK007A00	Internal Filter Rack (includes 1-inch filters)	24 – 30						
CPFILTRK008A00		36 – 42						
CPFILTRK009A00		48 – 60						
LOW AMBIENT, ANTI-CYCLE TIMER, COMPRESSOR START ASSIST								
CPLOWAMB001A00	Low Ambient Control – enables cooling system to operate down to 0 Deg. F by cycling condenser fan on and off.	ALL						
NRTIMEGD001A00	Five Minute Compressor Delay	ALL						
CPHSTART002A00	PTC Compressor Start Assist Kit	ALL						
CRANKCASE HEATERS (Factory installed on some models)								
CPCRKHTR008A00	Crankcase Heater (single-phase)	24-36						
CPCRKHTR004A00	Crankcase Heater (single-phase and 3-phase)	42-48						
ELECTRIC HEATER USAGE, 208/230-1-60								
Electric Heater Model Number	Nominal Capacity (kW)	Fuses	Used With PHR5 Model Sizes					
			24	30	36	42	48	60
EHNA05K0N	5.0	0	✓	✓	✓			
EHNA05K4F	5.0	4	✓	✓	✓	✓	✓	
EHNA07K0N	7.5	0	✓					✓
EHNA07K4F	7.5	4	✓	✓	✓	✓	✓	✓
EHNA10K4F	10.0	4	✓	✓	✓	✓	✓	✓
EHNA15K6F	15.0	6		✓	✓	✓	✓	✓
EHNA20K6F	20.0	6				✓	✓	✓
ELECTRIC HEATER USAGE, 208/230-3-60								
Electric Heater Model Number	Nominal Capacity (kW)	Fuses	Used With PHR5 Model Sizes					
			30	36	42	48	60	
EHNA05H0N	5.0	0	✓	✓	✓	✓	✓	
EHNA10H0N	10.0	0	✓	✓	✓	✓		
EHNA10H6F	10.0	6	✓	✓	✓	✓	✓	
EHNA15H6F	15.0	6	✓	✓	✓	✓	✓	
EHNA20H6F	20.0	6			✓	✓	✓	
DUAL POINT WIRING KIT								
CPDUALPT001A00	Dual Point Wiring kit, 5-20kW Heaters		ALL					
DUCT TRANSITIONS								
NPDUCFLG002A00	Square to Round (1 set of 2, use with horizontal duct flanges only)		24 – 48					
THERMOSTATS								
TSTAT0406	Universal Programmable Thermostat, Dual Fuel compatible, 2-stage cool, 2-stage gas heat, 2-stage HP heat, 2-stage electric heat		ALL					
TSTAT0408	Universal Programmable Thermostat with Humidity Sensing and Control, Dual Fuel compatible, 2-stage cool, 2-stage gas heat, 2-stage HP heat, 2-stage electric heat.		ALL					
TSTAT0101SC	Observer Communicating Touchscreen Thermostat with Humidity Sensing and Control, Dual Fuel compatible, 2-stage cool, 2-stage gas heat, 2-stage HP heat, 2-stage electric heat.		ALL					
NAXA00101DB	Daughter Board, use with communicating thermostat TSTAT0101SC and non-communicating equipment.		ALL					